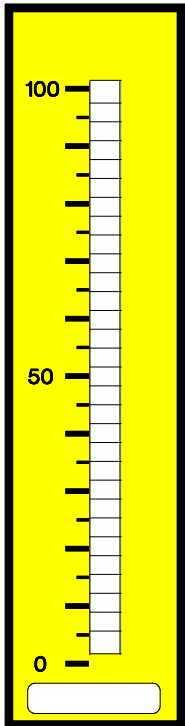


# Bargraph indicator direct voltage, direct current

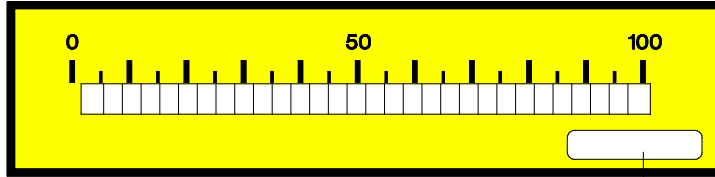
96x24

- Optional: analog output
- Allows to be placed side by side in grid and mosaics systems
- Mounting into panels with thickness up to 50 mm

888



**BVO 3.001.3x0**



**BHO 3.001.3x0**

ORDER NUMBER OF TYPE

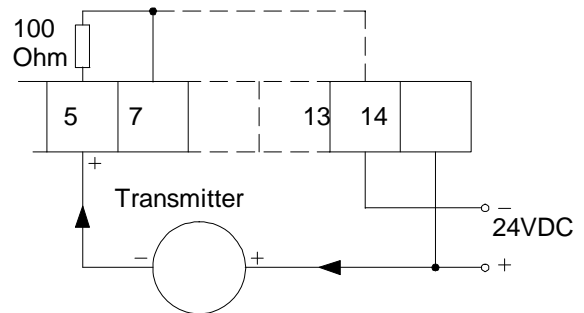
**BVO 3.001.310B**

**BHO 3.001.310B**

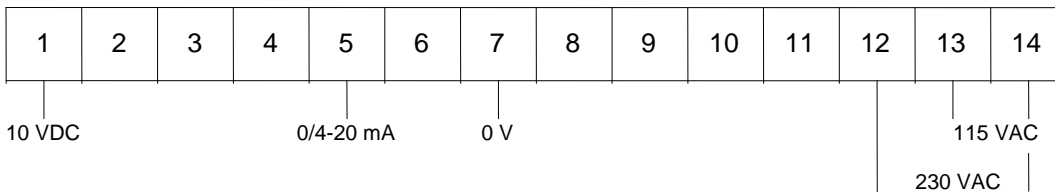
**BVO 3.001.370B**

**BHO 3.001.370B**

Transmitter connection



2-wire transmitter connection for 24VDC without galv. insulation and with a current input of 4-20mA!



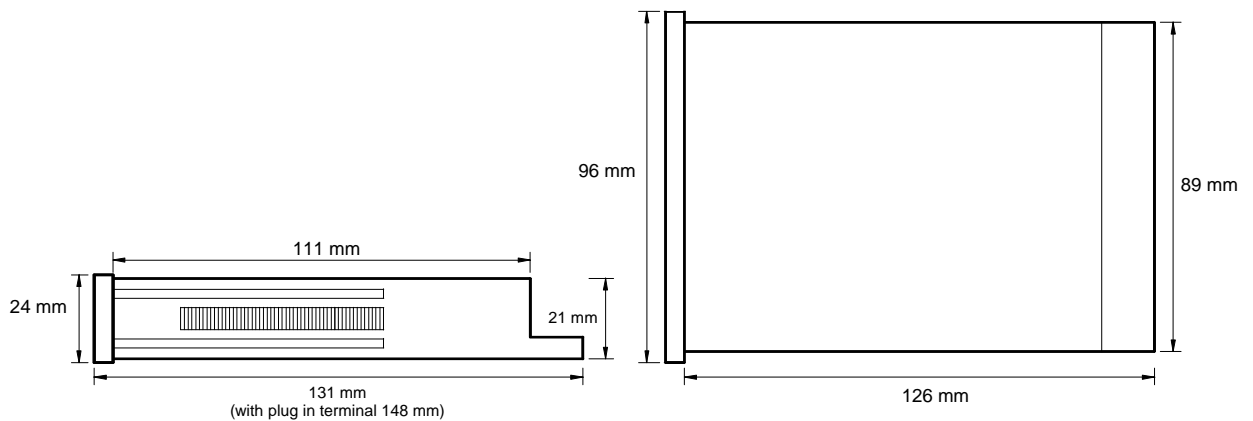
Power supply 24 VDC  
- galvanic isolated - (14=plus, 13=minus)

## Options

- Protection IP54
- Protection IP65
- Plug in terminal with protection IP40
- Plug in terminal with protection IP54
- Plug in terminal with protection IP65
- DOT - indication
- Additional measuring inputs on demand
- Other power supplies on demand

# Technical data, handling

<b>Dimensions</b>	Housing	96 x 24 x 131 mm, including screw terminal
	Assembly cut out	92.0 <sup>+0.8</sup> x 22.0 <sup>+0.6</sup> mm
	Fastening	special quick plastic clamp proper to fix in wall thickness up to 50 mm
	Housing material	PC/ABS-plastic blend, colour black, UL94V-0
	Protective system	at the front IP 40
	Weight	approx. 0.290 kg
	Connection	at the rear side via terminals up to 2.5 mm <sup>2</sup>
<b>Input</b>	Measuring range	0-10 V, 0/4-20 mA - all ranges are selectable via connection terminal offset adjustment supported by offset potentiometer
	Input resistance	R <sub>i</sub> with 10 V = 124 KΩ    20 mA = 100 Ω
<b>Accuracy</b>	Resolution	-99 to +999 for LED indication and 20 or 30 segments for bargraph display
	Nonlinearity	± 1 digit
	Temp. drift	100 ppm/K
	Measuring principle	Dual-Slope-Integration for 3 digit display
<b>Power unit:</b>	Supply voltage	230/115 VAC ± 10 % (50-60 Hz), 24 VDC ± 10 % galvanic isolated
	Consumption	approx. 2.5 VA
<b>Indication:</b>	Display	30 bars
	Overflow	indication of EEE
	Indication time	0.25 seconds
	Working temperature	0 up to + 60 °C
<b>Ambient conditions</b>	Storing temperature	-20 up to + 80 °C
	<b>Housing:</b>	



## CE-sign

For unlimited use of the instrument within the directives for electromagnetic compatibility 89/336/EC analogue input wires have to be used with shielded cable and cable's shield connected to earth ground at one end only.

## Setting

1. Connect the instrument according to the wiring diagram and turn power on.
2. Adjustment of indication value: Detach the front pane with a small screwdriver leading between front pane and housing frame.
3. Set the maximum input voltage/current and adjust the desired indication value by means of the potentiometer.
4. In order to achieve maximum value indication, the following minimum input voltages are required at the various measuring inputs:

Measuring input	10 V	20 mA
U/I min	4.4 V	9 mA
U/I max	12 V	25 mA

5. With input voltages smaller than U/I min, maximum value indication is not available!

