

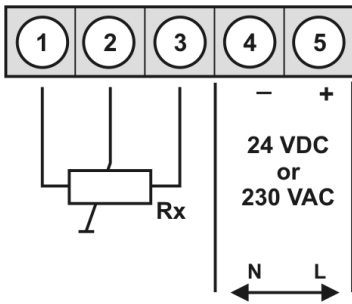
M1 – 4 digit digital panel meter in 96x24 mm (BxH) Potentiometer >1 kΩ ... <1000 kΩ

- red display of -1999...9999 digits (optional green, orange or blue display)
- minimal installation depth: 57 mm without plug-in terminal
- adjustment via factory default or directly on the sensor signal
- min/max-value recording
- 10 adjustable support points
- display flashing at threshold exceedance / undershooting
- navigation keys for the recall of min/max values or limit value corrections during operation
- tara-function
- programming interlock via access code
- protection class IP65 at the front
- plug-in terminal
- accessories: pc-based configuration-kit PM-TOOL with USB adapter
- on request: devices for working temperatures of -40°C...+70°C



ORDER NUMBER **EUR**
(without options)

• Potentiometer >1 kΩ ... <1000 kΩ



Supply 230 VAC

M1-3VR4B.0005.570xD 185.30

Supply 24 VDC

M1-3VR4B.0005.770xD 195.90

• Order key options

M	1-	3	V	R	4	B.	0	0	0	5.	5	7	0	x	D	EUR
M	1-	3	V	R	4	B.	0	0	0	5.	7	7	0	x	D	
											D	Dimension/physical unit, customer-specific settings				20.00
											1	without keypad, operation via PM-TOOL				10.60
											X	Other voltage supplies on request!				
											B	Blue				35.00
											G	Green				10.10
											Y	Orange				10.10

Please state physical unit in order, e.g. %.

• Parameterisation software

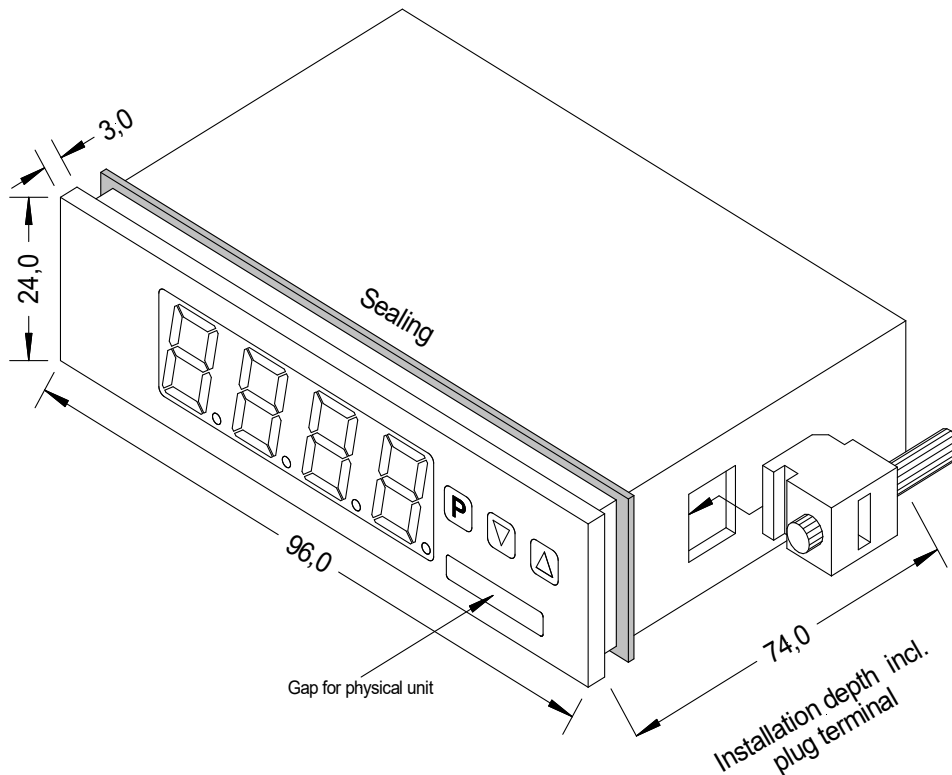
PC based configuration software PM-Tool for devices without keypad, for a simple adjustment of standard devices, incl. USB-adapter. Programming happens via an interface on the back.

PM-TOOL-MUSB4 94.30

• **Technical data**

Dimension	Housing	B96 x H24 x D57 mm (including plug-in terminal, D= 74 mm)
	Panel cut-out	92.0 ^{+0.8} x 22.2 ^{+0.3} mm
	Fixing	screw elements for insulation thickness up to 3 mm
	Housing material	PC Polycarbonate, black
	Sealing material	EPDM, 65 Shore, black
	Protection class	at the front IP65 standard, back side IP00
	Weight	approx. 50 g
	Connection	plug-in terminal; line cross-section up to 2.5 mm ²
Display	Display	4-digit
	Digit height	14 mm
	Segment colour	red (standard), optional available in green, blue and orange
	Display range	-1999 to 9999
	Setpoints	optical display flashing
	Overflow	horizontal bars at the top
	Underflow	horizontal bars at the bottom
	Display time/ Measuring time	0.1 to 10.0 seconds
Measuring input	Span	>1 kΩ ... <1000 kΩ
	Measuring range	0...100 %
	Measuring fault	0.5% of measuring range, ± 1 digit
	Temperature drift	100 ppm/K
	Measuring time	0.1 ... 10.0 seconds
	Measuring principle	U/F-conversion
	Resolution	approx. 18 bit at 1 sec measuring time
Power pack	Supply	230 VAC ±10 % (max. 3 VA) 24 VDC ±10 %, galvanic isolated (max. 1 VA)
	EEPROM	Data life ≥ 100 years at 25°C
Ambient conditions	Working temperature	0 to +60°C
	Storing temperature	-20 to +80°C
	Climatic density	relative humidity 0-85% on years average without dew
CE-sign	Conformity to directive 2014/30/EU	
EMV	EN 61326, EN 55011	
Safety standard	According to low voltage directive 2014/35/EU, EN 61010; EN 60664-1	

Housing:



• Ordering code M1

	M	1-	3	V	R	4	B.	0	0	0	5.	7	7	0	x	D	
Basic type M-Line																	
Installation depth 74 mm incl. plug-in terminal																	Dimension D physical unit
Housing size 96 x 24 x 57 mm																	Version x Internal version
Display type Voltage, current																	Switching points 0 no switching points
Display colours Blue Green Red Orange																	Protection class 1 without keypad, operation via PM-TOOL 7 IP65 / plug-in terminal
Number of digits 4-digit																	Supply voltage 5 230 VAC 7 24 VDC galv. isolated
Digit height 14 mm																	Measuring input 5 Potentiometer >1...<1000 kOhm
Interface without																	Analog output 0 without
																	Sensor supply 0 without