

M1-tricolour – 4-digit digital panel meter in 96x48 mm (BxH) Standard signal 0/4-20 mA, 0-10 VDC

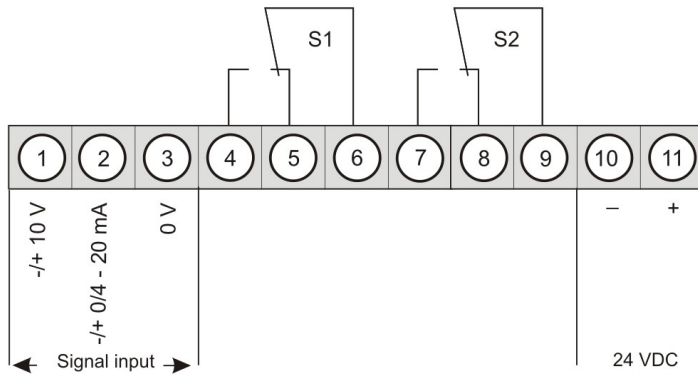
- tricolour display of -1999...9999 digits (red, green, orange switchable via limit values)
- minimal installation depth: 25 mm without plug-in terminal
- adjustment via factory default or directly on the sensor signal
- min/max-value recording
- 10 adjustable support points
- display flashing at threshold exceedance / undershooting
- navigation keys for the recall of min/max-values or for limit value corrections during operation
- tara-function
- programming interlock via access code
- protection class IP65 at the front
- plug-in terminal
- 2 relay outputs (change-over-contacts)
- accessories: pc-based configuration-kit PM-TOOL with USB adapter
- on request: devices for working temperatures of -40°C...+70°C



ORDER NUMBER **EUR**
(without options)

M1-1VT4B.0001.772xD **248.90**

• Direct current, direct voltage



• Product key options

M	1-	1	V	T	4	B.	0	0	0	1.	7	7	2	x	D	EUR
														D	Dimension/physical unit, customer-specific settings	20.00
														1	Without keypad, operation via PM-TOOL	10.60

Please state physical unit in order, e.g. bar.

• Parameterisation software

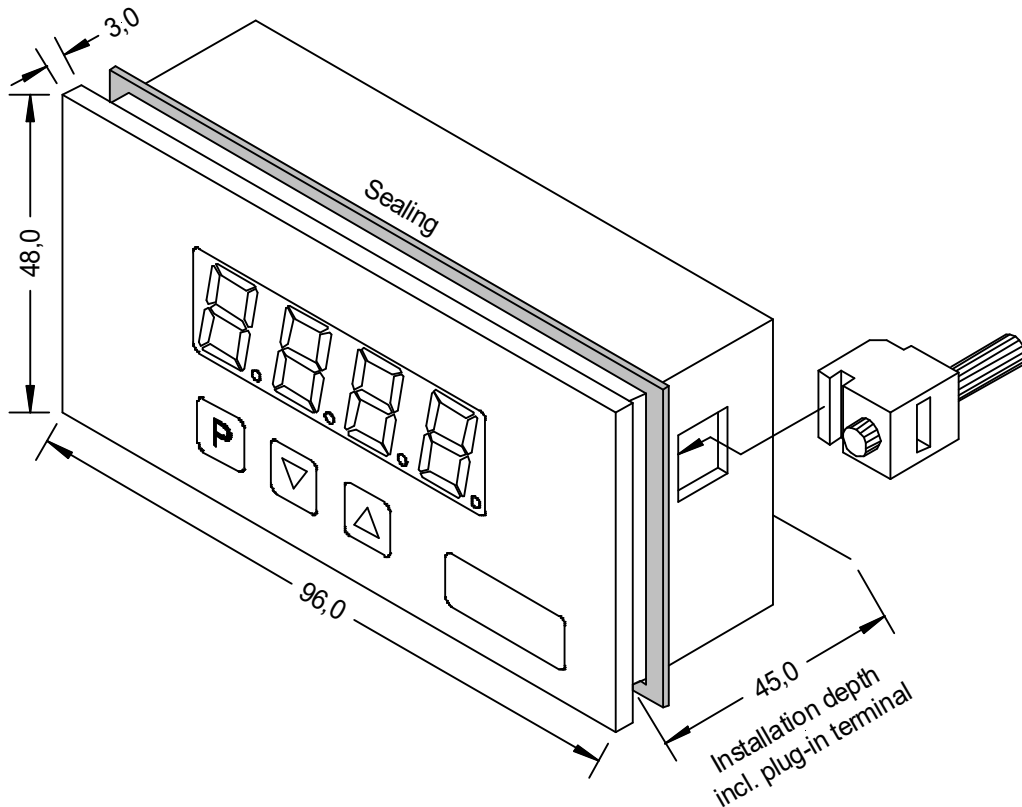
PC based configuration software PM-Tool for devices without keypad, for a simple adjustment of standard devices, incl. USB-adapter. Programming happens via an interface on the back.

PM-TOOL-MUSB4 **94.30**

• **Technical data**

Dimension	Housing	B96xH48xD25 mm (including plug-in terminal D= 45 mm)	
	Panel cut-out	92.0 ^{+0.8} x 45.0 ^{+0.6} mm	
	Fixing	screw elements for insulation thickness up to 3 mm	
	Housing material	PC Polycarbonate, black	
	Sealing material	EPDM, 65 Shore, black	
	Protection class	at the front IP65 standard, back side IP00	
	Weight	approx. 100 g	
	Connection	plug-in terminal; line cross-section up to 2.5 mm ²	
Display	Display	4-digit	
	Digit height	14 mm	
	Segment colour	tricolour (red, green, orange)	
	Display range	-1999 to 9999	
	Setpoints	optical display flashing and/or change of colour	
	Overflow	horizontal bars at the top	
	Underflow	horizontal bars at the bottom	
	Display time/ Measuring time	0.1 to 10.0 seconds	
Measuring input	Span	-12...12 V	/ -22...24 mA
	Measuring range	0-10 V	/ 0/4-20 mA
	Input resistance	Ri at ~200 kΩ	/ Ri at ~100 Ω
	Measuring fault	0.1% of measuring range, ± 1 digit / 0.1% of measuring range, ± 1 digit	
	Temperature drift	100 ppm/K	
	Measuring time	0.1 ... 10.0 seconds	
	Measuring principle	U/F-conversion	
	Resolution	approx. 18 bit at 1 second measuring time	
Outputs	Relay	with change-over contact 250 VAC / 5 AAC; 30 VDC, 5 ADC	
	Switching cycles	30 * 10 ³ at 5 AAC, 5 ADC resistive burden 10 * 10 ⁶ mechanically	
Power pack	Supply	Division according to DIN EN50178 / Characteristics according to DIN EN 60255 24 VDC ±10 %, galvanic isolated (2 VA)	
Memory	EEPROM	Data life ≥ 100 years at 25°C	
Ambient conditions	Working temperature	0 to +60°C	
	Storing temperature	-20 to +80°C	
	Climatic density	relative humidity 0-85% on years average without dew	
CE-sign	Conformity to directive 2014/30/EU		
EMV	EN 61326, EN 55011		
Safety standard	According to low voltage directive 2014/35/EU, EN 61010; EN 60664-1		

Housing:



• Ordering code

	M	1-	1	V	T	4	B.	0	0	0	1.	7	7	2	x	D		
Basic type M-Line																		Dimension
																		<input type="checkbox"/> D physical unit
Installation depth																		Version
45 mm incl. plug-in terminal																		<input type="checkbox"/> x internal version
Housing size																		Setpoints
96 x 48 x 25 mm (BxHxD)																		<input type="checkbox"/> 2 2 relay outputs
Display type																		Protection class
V, A																		<input type="checkbox"/> 1 without keypad, operation via PM-TOOL
Display colours																		<input type="checkbox"/> 7 IP65 / plug-in terminal
Tricolour (red-green-orange)																		Supply voltage
Number of digits																		<input type="checkbox"/> 7 24 VDC galvanic isolated
4-digit																		Measuring input
Digit height																		<input type="checkbox"/> 1 Direct current, direct voltage
14 mm																		Analog output
Interface																		<input type="checkbox"/> 0 without
without																		Sensor supply
																		<input type="checkbox"/> 0 without