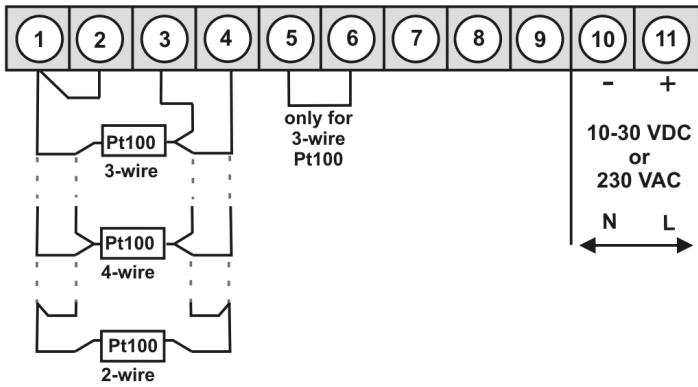




M2 – 5-digit digital panel meter in 96x48 mm (BxH) Pt100 (3-/4-wire) -200,0°C...850,0°C / -328,0°F...1562,0°F

- red display of -19999...99999 digits (optional green, orange, blue or tricolour display)
- compact installation depth: 70 mm without plug-in terminal
- adjustment via factory default or directly on the sensor signal
- min/max-memory with adjustable permanent display
- display flashing at threshold value exceedance/undercut
- flexible alarm system with adjustable delay times
- brightness control via parameters or front keys
- programming interlock via access code
- protection class IP65 at the front
- plug-in screw terminal
- optional: 2 relay outputs
- optional: 1 independently scalable analog output
- accessories: pc-based configuration-kit PM-TOOL with USB adapter
- on request: devices for working temperatures of -20°C...60°C or -40°C...70°C

• **Pt100 (3-/4-wire) -200,0°C...850,0°C / -328,0°F...1562,0°F**



Supply 230 VAC

M2-1TR5B.010C.570xD

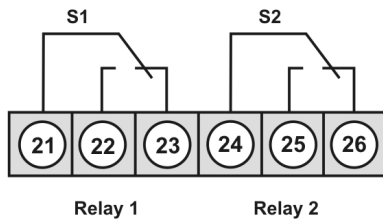
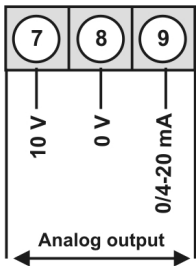
217.10

Supply 10-30 VDC

M2-1TR5B.010C.670xD

254.20

Options:



• **Product key options**

M	2-	1	T	R	5	B.	0	1	0	C.	5	7	0	x	D
M	2-	1	T	R	5	B.	0	1	0	C.	6	7	0	x	D

		EUR
D	Dimension/physical unit, customer-specific settings	20.00
2	2 relay outputs	35.00
1	Without keypad, operation via PC software PM-TOOL	10.60
4	Voltage supply 115 VAC	10.90
X	Analog output 0/4-20 mA, 0-10 VDC with 230 VAC	105.90
	Analog output 0/4-20 mA, 0-10 VDC with 10-30 VDC	137.70
B	Blue	46.60
G	Green	10.10
Y	Orange	10.10
T	Tricolour (Red-Green-Orange)*	31.80

*Only one option available with 230 VAC voltage supply: relay outputs or analog output

Please state physical unit on demand, e.g. °F.

• **Parameterisation software**

PC based configuration software PM-Tool for devices without keypad, for a simple adjustment of standard devices, incl. USB-adaptor. Programming happens via an interface on the back.

ORDER NUMBER

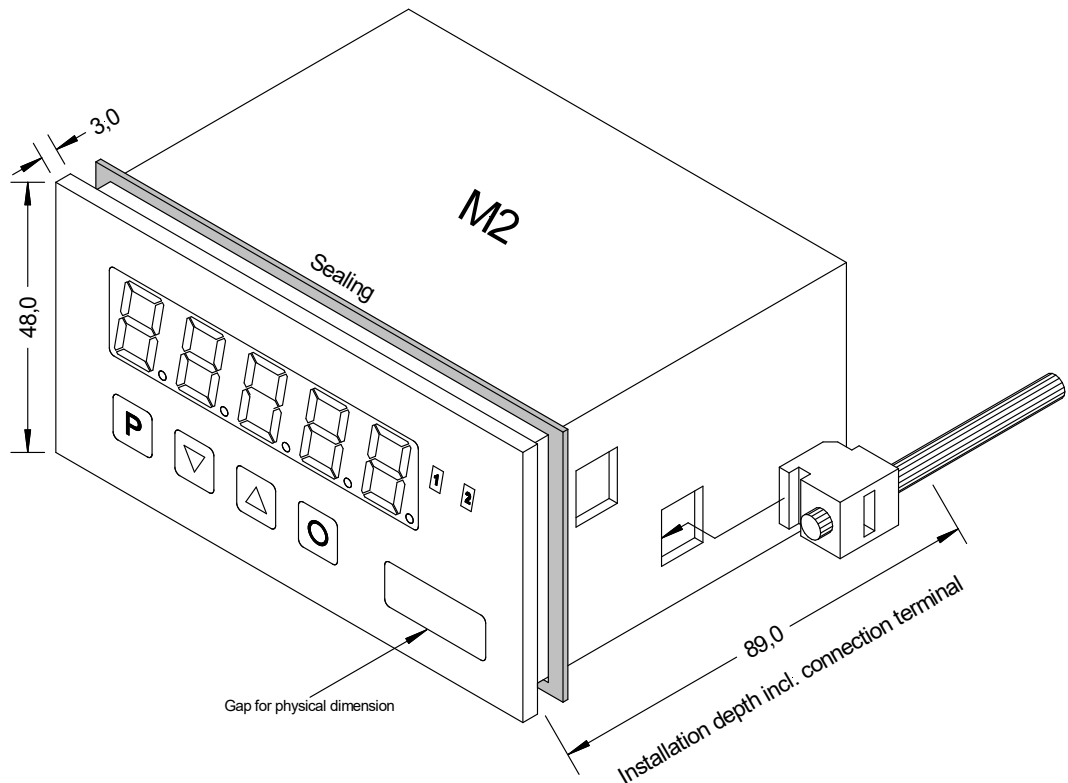
EUR

PM-TOOL-MUSB4

94.30

• **Technical data**

Dimension	Housing Panel cut-out Fixing Housing material Sealing material Protection class Weight Connection	B96 x H48 x D70 mm (including plug-in terminal D= 89 mm) 92.0 ^{+0.8} x 45.0 ^{+0.6} mm screw elements for insulation thickness up to 3 mm PC Polycarbonate, black EPDM, 65 Shore, black at the front IP65 standard, back side IP00 approx. 250 g plug-in terminal; line cross-section up to 2.5 mm ²
Display	Display Digit height Segment colour Display range Setpoints Overflow Underflow Display time	5-digit 14 mm red (standard), optional available in green, blue, orange or tricolour (red/green/orange) -19999 to 99999 optical display flashing horizontal bars at the top horizontal bars at the bottom 0.1 to 10.0 seconds
Measuring input	Span Measuring fault Temperature drift Measuring time Measuring principle Resolution	-200.0°C...+850.0°C / -328.0°F...+1562.0°F 0.1% of measuring range, ± 1 digit 100 ppm/K 0.1 ... 10.0 seconds U/F-conversion 0.1°C or 0.1°F
Output	Relay Switching cycle Analog output	with change-over contact 250 V / 5 AAC, 30 V / 5 ADC 10 * 10 ³ at 5 AAC, 5 ADC ohm resistive burden 10 * 10 ⁶ mechanically Separation in accordance with DIN EN 50178 / Specifications in accordance with DIN EN 60255 0-10 VDC/ burden ≥ 10 kΩ, 0/4-20 mA burden ≤ 500 Ω, 16 bit
Power pack	Supply	230 VAC 50/60 Hz ±10 % (max. 10 VA) 10-30 VDC, galvanic isolated (max. 4 VA)
Memory	EEPROM	Data life ≥ 100 years at 25°C
Ambient conditions	Working temperature Storing temperature Climatic density	0 to +60°C -20 to +80°C relative humidity 0-85% on years average without dew
CE-sign	Conformity to directive 2014/30/EU	
EMV	EN 61326, EN 55011	
Safety standard	According to low voltage directive 2014/35/EU; EN 61010; EN 60664-1	
Housing:		



• Order key

	M	2-	1	T	R	5	B.	0	X	0	C.	6	7	0	x	D	
Basic type M-Line																	Dimension
																	<input type="checkbox"/> D physical unit
Installation depth 89 mm (incl. plug-in terminal)																	Version
																	<input type="checkbox"/> x internal version
Housing size 96x48x70 mm (BxHxD)																	Setpoints
																	<input type="checkbox"/> 0 no setpoints
																	<input type="checkbox"/> 2 2 relay outputs
Display type Temperature																	Protection class
																	<input type="checkbox"/> 1 without keypad, operation via PM-TOOL
																	<input type="checkbox"/> 7 IP65 / plug-in terminal
Display colours Blue Green Red Red/Green/Orange Orange																	Supply voltage
																	<input type="checkbox"/> 4 115 VAC
																	<input type="checkbox"/> 5 230 VAC
																	<input type="checkbox"/> 6 10-30 VDC galv. isolated
Number of digits 5-digit																	Measuring input
																	<input type="checkbox"/> C Pt100
Digit height 14 mm																	Analog output
																	<input type="checkbox"/> 0 without
																	<input type="checkbox"/> X 0-10 VDC, 0/4-20 mA
Digital input without																	Sensor supply
																	<input type="checkbox"/> 0 without
																	Temperature devices
																	<input type="checkbox"/> 1 Pt100 3-/4-wire