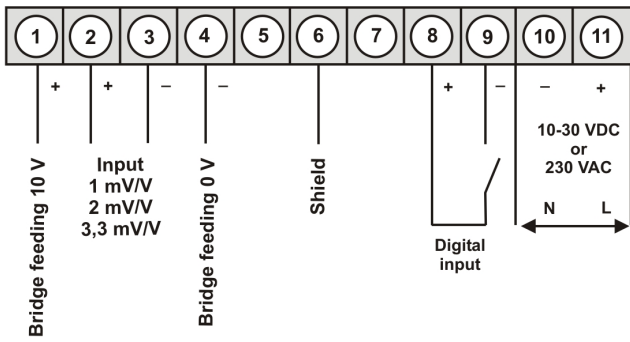




M2 – 5-digit digital panel meter 96x48 (BxH) DMS-amplifier – weighing technology

- red display of -19999...99999 digits (optional green, orange, blue or tricolour display)
- compact installation depth: 70 mm without plug-in terminal
- adjustment via factory default or directly on the sensor signal
- min/max-memory with adjustable permanent display
- 30 additional adjustable supporting points
- display flashing at threshold value exceedance/undercut
- zero key for actuation of tara-function / hold-function or sensor alignment
- standard digital input for Hold, Tara or sensor alignment
- flexible alarm system with adjustable delay times
- mathematical functions like reciprocal value, square root, squaring and rounding
- sliding averaging
- brightness control via parameters or front keys
- programming interlock via access code
- protection class IP65 at the front
- plug-in screw terminal
- optional: 2 relay outputs
- accessories: pc-based configuration-kit PM-TOOL with USB adapter
- on request: devices for working temperatures of -20°C...60°C or -40°C...70°C

• **Weighing technology**



Supply 230 VAC

M2-1WR5B.020X.570xD

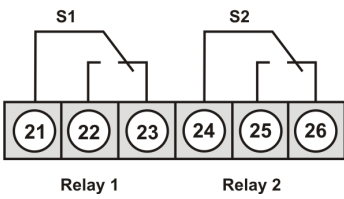
270.00

Supply 10-30 VDC

M2-1WR5B.020X.670xD

338.90

Options:



• **Product key options**

M	2-	1	W	R	5	B.	0	2	0	X.	5	7	0	x	D
M	2-	1	W	R	5	B.	0	2	0	X.	6	7	0	x	D

		EUR
D	Dimension/physical unit, customer-specific settings	20.00
2	2 relay outputs	35.00
1	Without keypad, operation via PC software PM-TOOL	10.60
4	Voltage supply 115 VAC	10.90
B	Blue	46.60
G	Green	10.10
Y	Orange	10.10
T	Tricolour (Red-Green-Orange)*	31.80

* For devices with 230 VAC voltage supply there are no relay outputs available.

Please state physical unit on demand, e.g. kg.

• **Parameterisation software**

PC based configuration software PM-Tool for devices without keypad, for a simple adjustment of standard devices, incl. USB-adapter. Programming happens via an interface on the back.

ORDER NUMBER

EUR

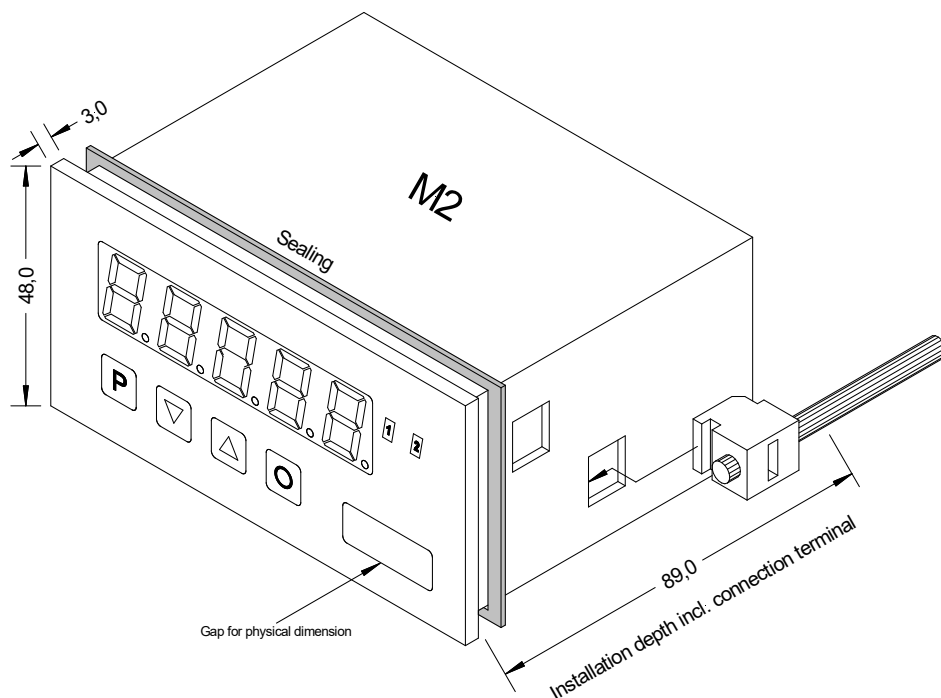
PM-TOOL-MUSB4

94.30

• **Technical data**

Dimension	Housing Panel cut-out Fixing Housing material Sealing material Protection class Weight Connection	B96 x H48 x D70 mm (including plug-in terminal D= 89 mm) 92.0 ^{+0.8} x 45.0 ^{+0.6} mm screw elements for insulation thickness up to 3 mm PC Polycarbonate, black EPDM, 65 Shore, black at the front IP65 standard, back side IP00 approx. 250 g plug-in terminal; line cross-section up to 2.5 mm ²
Display	Display Digit height Segment colour Display range Setpoints Overflow Underflow Display time	5-digit 14 mm red (standard), optional available in green, blue, orange or tricolour (red/green/orange) -19999 to 99999 optical display flashing horizontal bars at the top horizontal bars at the bottom 0.1 to 10.0 seconds
Measuring input	Sensor sensitivity Sensor alignemnt Measuring fault Drift of temperature Measuring time Measuring principle Resolution	1 mV/V, 2 mV/V, 3.3 mV/V with Tara always required 0.2% of measuring range in controlled electromagnetic environment 1 % of measuring range in industrial environment with a strong disturbing source 100 ppm/K 0.1 ... 10.0 seconds U/F-converter approx. 18 bit at 1 second measuring time, 3.3 mV/V of measuring range
Output	Relay Switching cycle PhotoMos output Analog output Bridge supply	with change-over contact 250 V / 5 AAC, 30 V / 5 ADC 30 * 10 ³ at 5 AAC, 5 ADC ohm resistive burden 10 * 10 ⁶ mechanically Separation in accordance with DIN EN 50178 / Specifications in accordance with DIN EN 60255 NOC contacts: 30 VDC/AC, 4 A 0-10 VDC / burden ≥ 10 kΩ, 0/4-20 mA / burden ≤ 500 Ω, 16 bit 10 VDC / 2-40 mA / 300-5000 Ω
Digital input	Input galv. isolated	< 2.4 OFF; > 10 V ON; max. 30 VDC, Ri at ~ 5 kΩ
Power pack	Supply	230 VAC 50/60 Hz ±10% (max. 10 VA) 10-30 VDC, galvanic isolated (max. 4 VA)
Memory	EEPROM	Data life ≥ 100 years at 25°C
Ambient conditions	Working temperature Storing temperature Climatic density	0 to +60°C -20 to +80°C relative humidity 0-85% on years average without dew
CE-sign	Conformity to directive 2014/30/EU	
EMV	EN 61326, EN 55011	
Safety standard	According to low voltage directive 2014/35/EU, EN 61010; EN 60664-1	

Housing:



• Order key

	M	2-	1	W	R	5	B.	0	2	0	X.	6	7	0	x	D	
Basic type M-Line																	Dimension
																	<input type="checkbox"/> D physical unit
Installation depth																	Version
89 mm (incl. plug-in terminal)																	<input type="checkbox"/> x internal version
Housing size																	Switching points
96x48x70 mm (BxHxD)																	<input type="checkbox"/> 0 no switching point
																	<input type="checkbox"/> 2 2 relay outputs
Display type																	Protection class
Weighing technology																	<input type="checkbox"/> 1 without keypad, operation via PM-TOOL
																	<input type="checkbox"/> 7 IP65 / plug-in terminal
Display colours																	Supply voltage
Blue																	<input type="checkbox"/> 4 115 VAC
Green																	<input type="checkbox"/> 5 230 VAC
Red																	<input type="checkbox"/> 6 10-30 VDC galv. isolated
Red/Green/Orange																	
Orange																	
Number of digits																	Measuring input
5-digit																	<input type="checkbox"/> X Weighing technology 1 mV/V – 3.3 mV/V
Digit height																	Analog output
14 mm																	<input type="checkbox"/> 0 without
																	<input type="checkbox"/> X 0-10 VDC, 0/4-20 mA
Interface																	Bridge supply
without																	<input type="checkbox"/> 0 without
																	<input type="checkbox"/> 2 10 VD / 20-40 mA, incl. digital input