

# M3 – 5-digit panel meter in 96x24 mm (BxH) setpoint generator

- red display of -19999...99999 digits (optional green, orange, or blue display)
- minimal installation depth: 120 mm without plug-in terminal
- definable setting for the setpoint
- configurable output area between 0...10 V or 0...20 mA
- adjustable increment per press
- display flashing at threshold exceedance / undercut
- digital inputs for key switch or external adjustment buttons
- configurable as a code for the setpoint adjustment protection
- different operation variants for the control setpoint
- optional startup behaviour with last setting or default value
- optional speed settings for adjusting the setpoint
- quick response when changing the default value (ramp function)
- programming interlock via access code
- protection class IP65 at the front
- plug-in terminal
- accessories: pc-based configuration-kit PM-TOOL with USB adapter
- on demand: devices for working temperatures of -20°C...60°C or -40°C...70°C



## • Setpoint device

Supply 100-240 VAC, DC  $\pm$  10%

**ORDER NUMBER**  
(without options)

**EUR**

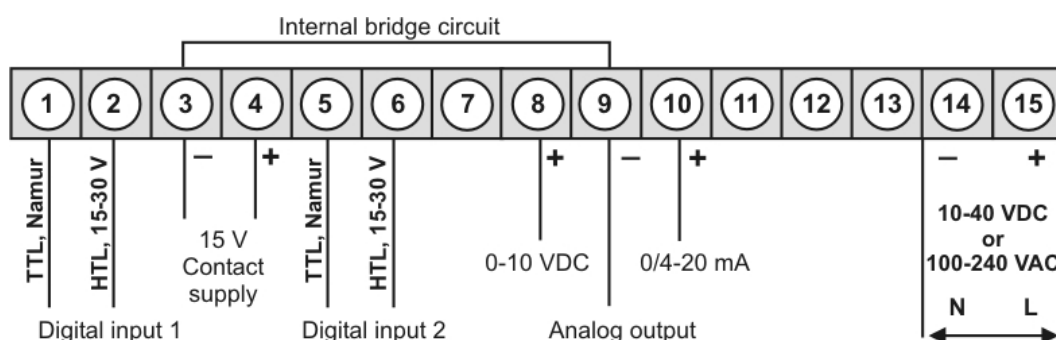
**M3-3GR5B.00X0.S70BD**

**354.80**

Supply 10-40 VDC, 18.30 VAC

**M3-3GR5B.00X0.W70BD**

**370.70**



## • Product key options

M	3-	3	G	R	5	B.	0	0	X	0.	S	7	0	B	D		
M	3-	3	G	R	5	B.	0	0	X	0.	W	7	0	B	D		
											D	Dimension/physical unit, customer-specific settings					20.00
											1	Without keypad, operation via PM-TOOL					10.60
											B	Blue					46.60
											G	Green					10.10
											Y	Orange					10.10

Please state physical unit in order, e.g. %.

## • Parameterisation software

PC based configuration software PM-Tool for devices without keypad, for a simple adjustment of standard devices, incl. USB-adapter. Programming happens via an interface on the back.

**ORDER NUMBER**

**EUR**

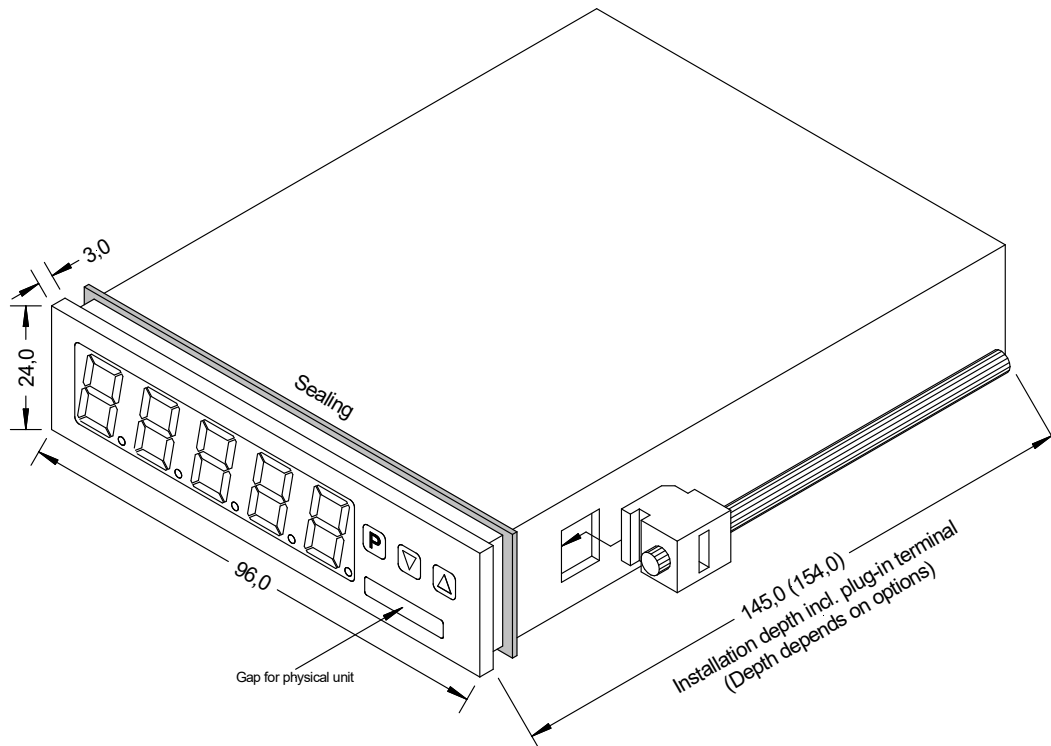
**PM-TOOL-MUSB4**

**94.30**

## • Technical data

<b>Dimensions</b>	Housing	B96 x H24 x D120 mm, (with plug-in terminal D= 145 mm)
	Panel cut-out	92.0 <sup>+0.8</sup> x 22.2 <sup>+0.3</sup> mm
	Fixing	screw elements for wall thicknesses up to 3 mm
	Housing material	PC Polycarbonate, black
	Sealing material	EPDM, 65 Shore, black
	Protection class	IP065 at the front (Standard) IP00 at the back side
	Weight	approx. 250 g
	Connection	plug-in terminal; wire-cross section up to 2.5 mm <sup>2</sup>
<b>Display</b>	Display	5-digit
	Digit height	14 mm
	Segment colour	red (Standard), optional available in green, orange or blue
	Range of display	-19999 to 99999
	Limit values	optical display flashing
	Overflow	horizontal bars at the top
	Underflow	horizontal bars at the bottom
<b>Digital input</b>	2 digital inputs (galv. isolated)	HTL: < 2.4 OFF; >10 V ON; max. 30 VDC TTL-Level: > 4.6 V / < 1.9 V, Namur
	Input resistance	Ri at ~5 kΩ
<b>Output</b>	Analog output	0-10 VDC/ burden ≥ 10 kΩ, 0/4-20 mA burden ≤ 500 Ω, 16 bit
	Contact supply	15 VDC / 10 mA
<b>Power pack</b>	Supply	100-240 VAC 50/60 Hz, DC ±10 % (max. 10 VA) 10-40 VDC, galvanically isolated, 18-30 VAC 50/60 Hz (max. 10 VA)
<b>Memory</b>	EEPROM	Data retention ≥ 100 years at 25°C
<b>Ambient conditions</b>	Working temperature	0 to +50°C
	Storing temperature	-20 to +80°C
	Climatic density	relative humidity 0-85% on years average without dew
<b>CE-sign</b>	Conformity in accordance with directive 2014/30/EU	
<b>EMV</b>	EN 61326, EN 55011	
<b>Safety standard</b>	According to low voltage directive 2014/35/EU, EN 61010; EN 60664-1	

### Housing:



• Order code

	M	3-	3	G	R	5	B.	0	0	X	0.	S	7	0	B	D	
<b>Standard type M-Line</b>																	<b>Dimension</b>
																	<input type="checkbox"/> D physical unit
<b>Installation depth</b> 145 mm (incl. plug-in terminal)			<input type="checkbox"/> 3														<b>Version</b>
																	<input type="checkbox"/> B B
<b>Housing size</b> 96x24x120 mm (BxHxD)			<input type="checkbox"/> 3														<b>Switching points</b>
																	<input type="checkbox"/> 0 no switching point
<b>Type of display</b> Setpoint device				<input type="checkbox"/> G													<b>Protection class</b>
																	<input type="checkbox"/> 1 without keypad, operation via PM-TOOL
<b>Display colours</b>																	<input type="checkbox"/> 7 IP65 / plug-in terminal
Blue				<input type="checkbox"/> B													<b>Supply voltage</b>
Green				<input type="checkbox"/> G													<input type="checkbox"/> S 100-240 VAC
Red				<input type="checkbox"/> R													<input type="checkbox"/> W 10-40 VDC galv. isolated
Orange				<input type="checkbox"/> Y													<b>Measuring input</b>
<b>Number of digits</b> 5-digit																	<input type="checkbox"/> 0 without
<b>Digit height</b> 14 mm																	<b>Analog output</b>
																	<input type="checkbox"/> X 0-10 VDC, 0/4-20 mA
<b>Digital input</b> 2 digital inputs (Standard)																	<b>Sensor supply</b>
																	<input type="checkbox"/> 0 without