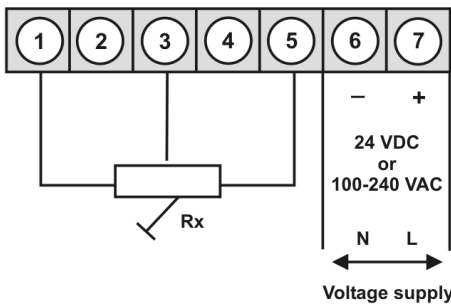




M3 – 5-digit digital panel meter in 48x24 mm (BxH) Potentiometer 0-100 % (>1 k Ω ... <1000 k Ω)

- red display from -19999...99999 digits (optional green, orange or blue display)
- installation depth: 90 mm without plug-in terminal
- multi voltage power supply unit 100-240 VAC
- adjustment via factory default or directly on the sensor signal
- min/max-memory with adjustable permanent display
- 30 additional adjustable setpoints
- display flashing at threshold exceedance / threshold undershooting
- navigation keys for the triggering of Hold, Tara, display change, setpoint setting, alarm actuator
- flexible alarm system with adjustable delay times
- volume measuring (totaliser)
- mathematical functions like reciprocal value, square root, square, rounding
- constant setting / setpoint setting
- sliding averaging
- brightness control via parameter or front keys
- programming interlock via access code
- protection class IP65 at the front
- pluggable screw terminal
- optional: 2 PhotoMos-outputs
- optional: 1 independently scalable analog output
- optional: galv. isolated digital input for the triggering of Tara, Hold, display change
- accessories: pc-based configuration-kit PM-TOOL with USB adapter
- on request: devices for working temperatures of -20°C...50°C or -40°C...70°C without condensation

• **Potentiometer 0-100 % (>1 kΩ ... <1000 kΩ)**



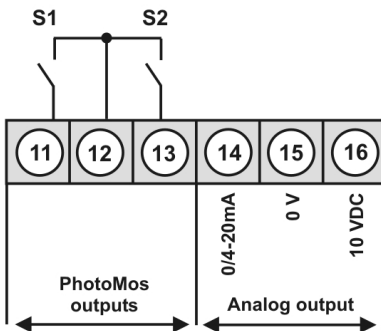
Supply 24 VDC

M3-7VR5A.0005.770xD 233.00

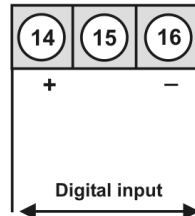
Supply 100-240 VAC, DC ± 10 %

M3-7VR5A.0005.S70xD 243.60

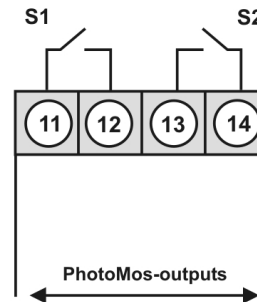
Options: device with a supply of 24 VDC



alternative for analog output



Options: device with a supply of 100-240 VAC



• **Product key options:** devices with a supply of 24 VDC

M	3-	7	V	R	5	A.	0	0	0	5.	7	7	0	x	D	EUR	
															D	Dimension/physical unit, customer-specific settings	20.00
															2	2 PhotoMos outputs	31.80
															1	Without keypad, operation via PC software PM-TOOL	10.60
															X	Analog output 0/4-20 mA, 0-10 VDC galvanic isolated	127.10
															I	Digital input galvanic isolated	21.20
															B	Blue	46.60
															G	Green	10.10
															Y	Orange	10.10

• **Product key options:** devices with a supply of 100-240 VAC

M	3-	7	V	R	5	A.	0	0	0	5.	S	7	0	x	D	EUR	
															D	Dimension/physical unit, customer-specific settings	20.00
															2	2 PhotoMos outputs	31.80
															1	Without keypad, operation via PC software PM-TOOL	10.60
															B	Blue	46.60
															G	Green	10.10
															Y	Orange	10.10

Please state physical unit on demand in your order, e.g. bar.

• **Parameterisation software**

PC based configuration software PM-Tool for devices without keypad, for a simple adjustment of standard devices, incl. USB-adapter. Programming happens via an interface on the back.

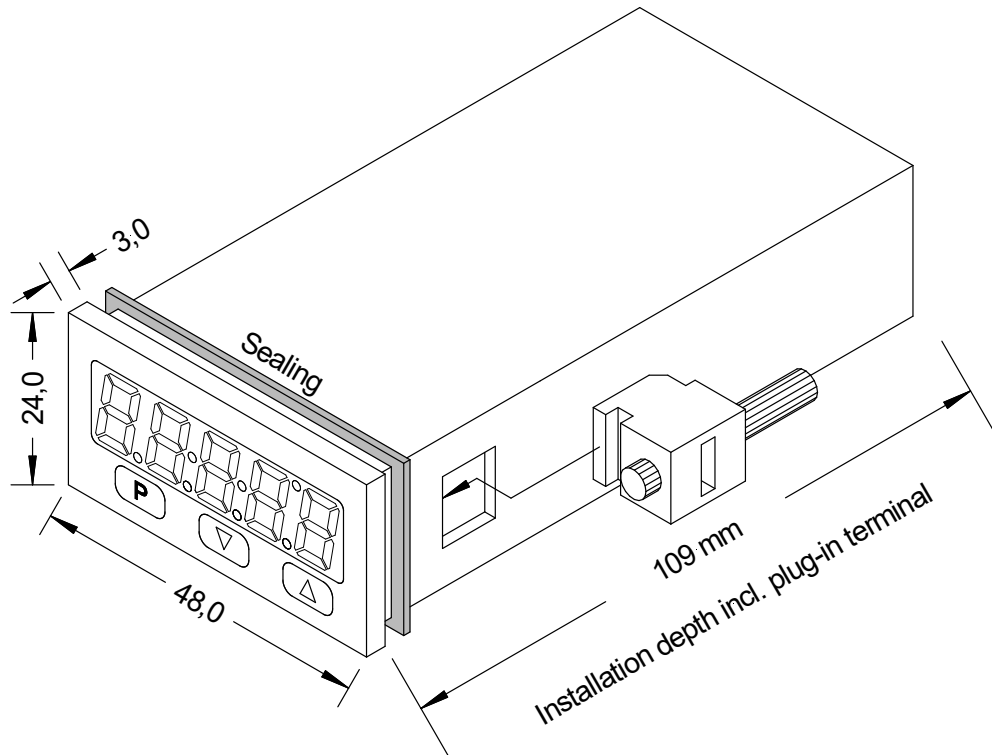
ORDER NUMBER **EUR**

PM-TOOL-MUSB4 **94.30**

• **Technical data**

Housing dimension	Housing	B48 x H24 x T90 mm, (with plug-in terminal D= 109 mm)
	Panel cut-out	45.0 ^{+0.6} x 22.2 ^{+0.3} mm
	Fixing	screw elements for wall thicknesses up to 5 mm
	Housing material	PC Polycarbonate, black
	Sealing material	EPDM, 65 Shore, black
	Protection class	at the front IP65 standard, at the back IP00
	Weight	approx. 200 g
	Connection	plug-in terminal; wire cross section up to 2.5 mm ²
Display	Display	5-digit
	Digit height	10 mm
	Segment colour	red (Standard), optional available in green, orange and blue
	Display range	-19999 to 99999
	Limit values	optical display flashing
	Overflow	horizontal bars at the top
	Underflow	horizontal bars at the bottom
Display time	0.1 to 10.0 seconds	
Measuring input	Span	>1 kΩ ... <1000 kΩ
	Measuring range	0-100 %
	Measuring fault	0.5% of measuring range, ± 1 digit
	Temperature drift	100 ppm/K
	Measuring time	0.1 ... 10.0 seconds
	Measuring principle	U/F-conversion
	Resolution	approx. 18 Bit at 1 second measuring time
Output	PhotoMos	Closer contacts: 30 VDC/AC, 0.4 A
	Analog output	0-10 VDC / burden ≥ 10 kΩ, 0/4-20 mA / burden ≤ 500 Ω, 16 bit
Digital input	Input galv. isolated	<2.4 V OFF; >10 V ON; max. 30 VDC, R _i ~ 5 kΩ
Power pack	Supply	100-240 VAC 50/60 Hz / DC ± 10% (max. 5 VA) 24 VDC ± 10%, galvanic isolated (max. 4 VA)
Memory	EEPROM	Data life ≥ 100 years at 25°C
Ambient conditions	Working temperature	0 to +50°C
	Storing temperature	-20 to +80°C
	Climatic density	relative humidity 0-85% on years average without dew
CE-sign	Conformity to directive 2014/30/EU	
EMV	EN 61326, EN 55011	
Safety standard	According to low voltage directive 2014/35/EU EN 61010; EN 60664-1	

Housing:



• Order key

	M	3-	7	V	R	5	A.	0	0	0	5.	7	7	0	x	D	
Standard type M-Line																	Dimension
																	D physical unit
Installation depth																	Version
109 mm (incl. plug-in terminal)																	x internal Version
Housing size																	Switching points
48x24x90 mm (BxHxD)																	0 no switching point
																	2 2 PhotoMos-outputs
Display type																	Protection class
Potentiometer																	1 without keypad, operation via PM-TOOL
																	7 IP65 / plugin terminal
Display colours																	Supply voltage
Blue																	7 24 VDC galv. isolated
Green																	S 100-240 VAC
Red																	
Orange																	
Number of digits																	Measuring input
5-digit																	5 Potentiometer > 1 kΩ... < 1.000 Ω
Digit height																	Analog output
10 mm																	0 without
																	X 0-10 VDC, 0/4-20 mA
Digital input																	Sensor supply
without																	0 without
1 digital input																	