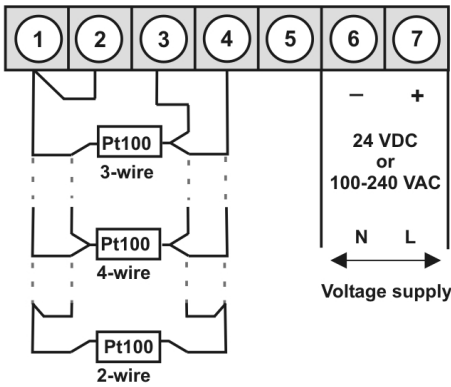




M3 – 5-digit digital panel meter in 48x24 mm (BxH) Pt100 (2-/3-/4-wire) -200.0°C...850.0°C / -328.0°F...1562.0°F

- red display from -19999...99999 digits (optional green, orange or blue display)
- installation depth: 90 mm without plug-in terminal
- multi voltage power supply unit 100-240 VAC
- adjustment via factory default or directly on the sensor signal
- min/max-memory with adjustable permanent display
- display flashing at threshold exceedance / threshold undershooting
- flexible alarm system with adjustable delay times
- brightness control via parameter or front keys
- programming interlock via access code
- protection class IP65 at the front
- pluggable screw terminal
- optional: 2 PhotoMos-outputs
- optional: 1 independently scalable analog output
- accessories: pc-based configuration-kit PM-TOOL with USB adapter
- on request: devices for working temperatures of -20°C...50°C or -40°C...70°C without condensation

• Pt100 (2-/3-/4-wire) -200.0°C...850.0°C / -328.0°F...1562.0°F



Pt100 2-/4-wire

Supply 24 VDC
Supply 100-240 VAC, DC ± 10%

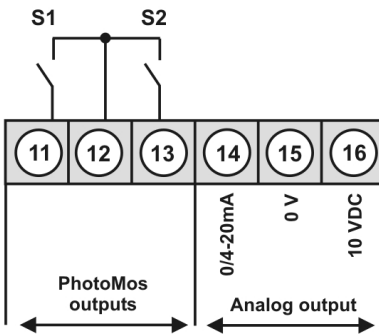
M3-7TR5A.010C.770xD 248.90
M3-7TR5A.010C.S70xD 259.50

Pt100 3-wire

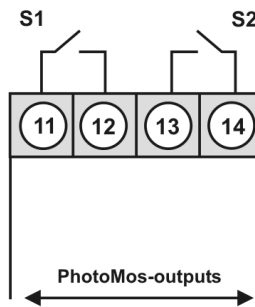
Supply 24 VDC
Supply 100-240 VAC, DC ± 10%

M3-7TR5A.030C.770xD 248.90
M3-7TR5A.030C.S70xD 259.50

Options: device with a supply of 24 VDC



Options: device with a supply of 100-240 VAC



• Product key options: devices with a supply of 24 VDC

M	3-	7	T	R	5	A.	0	1	0	C.	7	7	0	x	D			
M	3-	7	T	R	5	A.	0	3	0	C.	7	7	0	x	D		EUR	
																D	Dimension/physical unit, customer-specific settings	20.00
																2	2 PhotoMos outputs	31.80
																1	Without keypad, operation via PC software PM-TOOL	10.60
																X	Analog output 0/4-20 mA, 0-10 VDC galv. isolated	127.10
																B	Blue	46.60
																G	Green	10.10
																Y	Orange	10.10

• Product key options: devices with a supply of 100-240 VAC

M	3-	7	T	R	5	A.	0	1	0	C.	S	7	0	x	D			
M	3-	7	T	R	5	A.	0	3	0	C.	S	7	0	x	D		EUR	
																D	Dimension/physical unit, customer-specific settings	20.00
																2	2 PhotoMos outputs	31.80
																1	Without keypad, operation via PC software PM-TOOL	10.60
																B	Blue	46.60
																G	Green	10.10
																Y	Orange	10.10

Please state physical unit on demand in your order, e.g. °F.

• Parameterisation software

PC based configuration software PM-Tool for devices without keypad, for a simple adjustment of standard devices, incl. USB-adapter. Programming happens via an interface on the back.

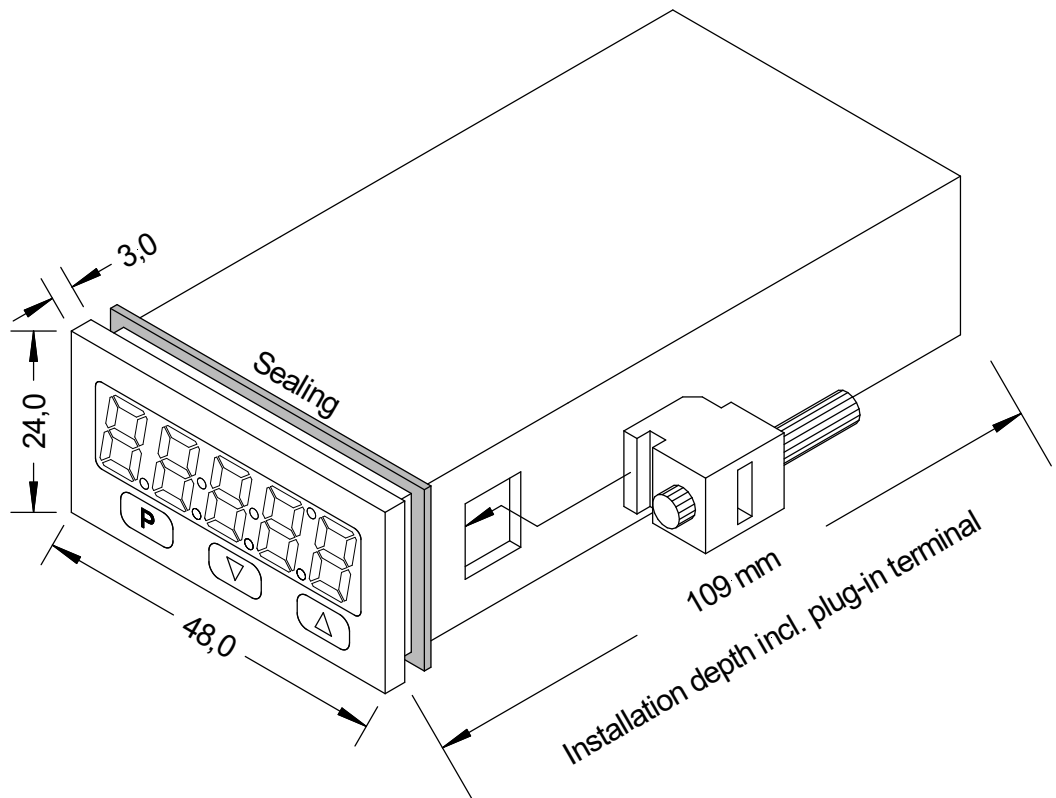
ORDER NUMBER EUR

PM-TOOL-MUSB4 **94.30**

• **Technical data**

Housing dimension	Housing	B48 x H24 x T90 mm, (with plug-in terminal D= 109 mm)
	Panel cut-out	45.0 ^{+0.6} x 22.2 ^{+0.3} mm
	Fixing	screw elements for wall thicknesses up to 5 mm
	Housing material	PC Polycarbonate, black
	Sealing material	EPDM, 65 Shore, black
	Protection class	at the front IP65 standard, at the back IP00
	Weight	approx. 200 g
Display	Connection	plug-in terminal; wire cross section up to 2.5 mm ²
	Display	5-digit
	Digit height	10 mm
	Segment colour	red (Standard), optional available in green, orange and blue
	Display range	-19999 to 99999
	Limit values	optical display flashing
	Overflow	horizontal bars at the top
Measuring input	Underflow	horizontal bars at the bottom
	Display time	0.1 to 10.0 seconds
	Measuring range	-200.0...850.0°C / -328.0...1562.0°F
	Measuring fault	0.1% of measuring range, ± 1 digit
	Temperature drift	100 ppm/K
	Measuring time	0.1 ... 10.0 seconds
	Measuring principle	U/F-conversion
Output	Resolution	0.1°C or 0.1°F
	PhotoMos	Closer contacts: 30 VDC/AC, 0.4 A
Power pack	Analog output	0-10 VDC / burden ≥ 10 kΩ, 0/4-20 mA / burden ≤ 500 Ω, 16 bit
	Supply	100-240 VAC 50/60 Hz / DC ± 10% (max. 5 VA) 24 VDC ± 10%, galvanic isolated (max. 4 VA)
Memory	EEPROM	Data life ≥ 100 years at 25°C
Ambient conditions	Working temperature	0 to +50°C
	Storing temperature	-20 to +80°C
	Climatic density	relative humidity 0-85% on years average without dew
CE-sign	Conformity to directive 2014/30/EU	
EMV	EN 61326, EN 55011	
Safety standard	According to low voltage directive 2014/35/EU EN 61010; EN 60664-1	

Housing:



• Order key

	M	3-	7	T	R	5	A.	0	1	0	C.	7	7	0	x	D	
Standard type M-Line																	Dimension
																	<input type="checkbox"/> D physical unit
Installation depth 109 mm (incl. plug-in terminal)																	Version
																	<input type="checkbox"/> x internal version
Housing size 48x24x90 mm (BxHxD)																	Switching points
																	<input type="checkbox"/> 0 no switching point
																	<input type="checkbox"/> 2 2 PhotoMos-outputs
Display type Temperature																	Protection class
																	<input type="checkbox"/> 1 without keypad, operation via PM-TOOL
																	<input type="checkbox"/> 7 IP65 / pluggable terminal
Display colours Blue Green Red Orange																	Supply voltage
																	<input type="checkbox"/> 7 24 VDC galv. isolated
																	<input type="checkbox"/> S 100-240 VAC
Number of digits 5-digit																	Measuring input
																	<input type="checkbox"/> C Pt100 -200°C...850°C
Digit height 10 mm																	Analog output
																	<input type="checkbox"/> 0 without
																	<input type="checkbox"/> X 0-10 VDC, 0/4-20 mA
Digital input without 1 digital input																	Temperature devices
																	<input type="checkbox"/> 1 Pt100 2-/4-wire
																	<input type="checkbox"/> 3 Pt100 3-wire