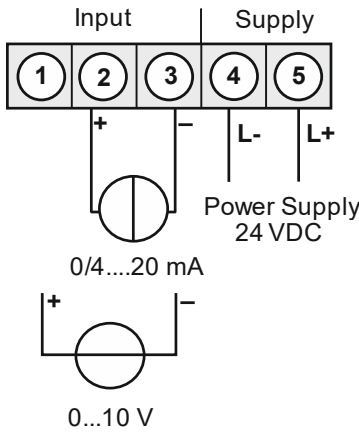




**MB1 – bargraph display in 72x24 mm (BxH)
Direct voltage / direct current signals 0-10 VDC, 0/4-20 mA
Switchable bargraph colours:
Standard red/green, optionally green/orange or blue/red**

- 20 point bargraph display – NEW: colour: red or green, selectable via decode switch
- minimum installation depth: 32 mm without plug-in screw terminal
- adjustable via HEX switch and push-button
- pre-adjusted input for standard signals 0-10 V and 0/4-20 mA
- free adjustment on the input signal
- 8 different display types adjustable as bar, dot/point or curtain
- free choice of direction and display of centre (e.g. bars starting from the middle of display)
- control of brightness level in stages
- protection class IP65
- plug-in terminal
- optional: switchable colours green/orange, blue/red

• **Direct current, direct voltage**



Supply 24 VDC

horizontal

MB1-52RHO.0001.770BD

178,80

vertical

MB1-52RVO.0001.770BD

178,80

• **Product key options**

M	B	1-	5	2	R	3	H	O.	0	0	0	1.	7	7	0	x	D
M	B	1-	5	2	R	3	V	O.	0	0	0	1.	7	7	0	x	D

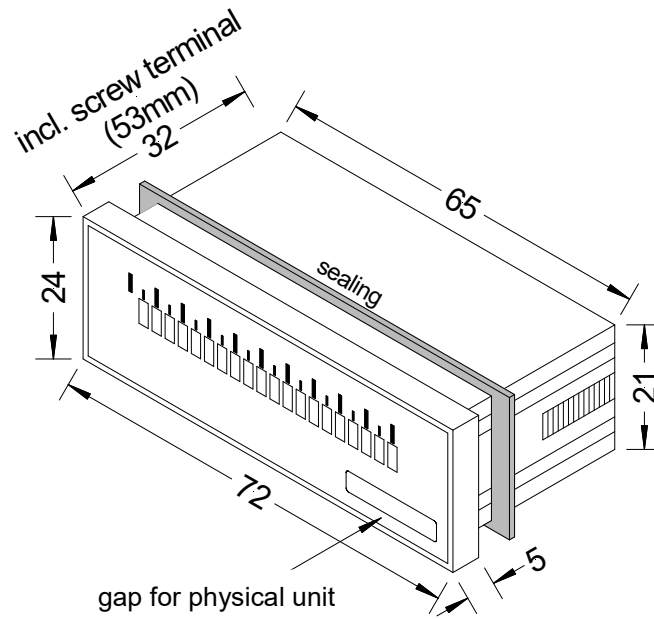
D	Dimension/physical unit, customer-specific settings	20,00
B	Blue/Red bargraph display	31,80
Y	Green/Orange bargraph display	15,90

Please state physical unit in order, e.g. %.

• **Technical data**

Dimensions	Housing Panel cut-out Fixing Housing material Sealing material Protection class Weight Connection	B72 x H24 x D32 mm (D=53 mm incl. plug-in terminal) 65.0 ^{+0.8} x 22.0 ^{+0.3} mm screw elements for insulation thickness up to 3 mm PC Polycarbonate; colour: black UL94V-0 EPDM, 65 Shore front IP65 standard, rear side IP00 approx. 100 g plug-in terminal; line cross section up to 2.5 mm ²
Display	Bargraph Bargraph segment Segment colour Display range Overflow Underflow Display time/Meas. time	20 points 4 mm red/green selectable, optionally green/orange, blue/red 20 point bargraph display all segments are flashing, except the last three segments flashing of the first three bargraph elements approx. 100 ms
Measuring input	Span Measuring range Input resistance Measuring fault Temperature drift Measuring time Measuring principle Resolution	-12...12 V / -22 mA...24 mA 0...10 V / 0/4...20 mA Ri at ~200 kΩ / Ri at ~100 Ω 0.5% of final value, ±1 Digit / 0.5% of final value, ±1 Digit 100 ppm/K approx. 100 ms U/F-converter approx. 14 Bit at 0.1 s measuring time
Power pack	Supply	24 VDC, ±10% (max. 2 VA)
Memory	EEPROM	Data life ≥ 100 years at 25°C
Ambient conditions	Working temperature Storing temperature Climatic density	0 to +60°C -20 to +80°C relative humidity 0-85% on years average without dew
CE-sign	Conformity to directive 2014/30/EU	
EMV	EN 61326, EN 55011	
Safety standard	According to low voltage directive 2014/35/EU, EN 61010, EN 50554-1	

Housing:



• Ordering code

	M	B	1	5	2	R	H	O	0	0	0	1	7	7	0	X	D
Basic type M-Line																	Dimension
Bargraph display	B																D physical unit
Installation depth 53 mm (incl. plug-in terminal)	1																Version x internal version
Housing size B72xH24xD32 mm	5																Setpoints 0 no setpoints
Resolution 20 points	2																Protection class 7 IP65 / plug-in terminal
Display colours Green/Orange Red/Green Blue/Red	G R B																Voltage supply 7 24 VDC galv. isolated
Adjustment Horizontal Vertical	H V																Measuring input 1 Standard signal 0/4-20 mA, 0-10 VDC
Digital display without	O																Analog output 0 without
																	Sensor supply 0 without
																	Interface 0 without