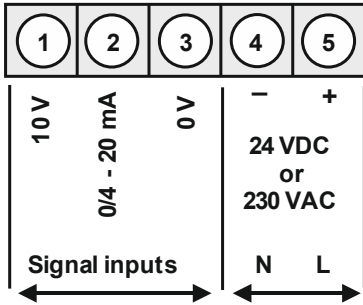




**MB1 – bargraph display in 96x24 mm (BxH)  
Direct voltage / direct current signals 0-10 VDC, 0/4-20 mA  
Switchable bargraph colours:  
Standard red/green, optionally green/orange or blue/red**

- 30 point bargraph display – NEW: colour: red or green, selectable via decode switch
- minimum installation depth: 60 mm without plug-in screw terminal
- adjustable via HEX switch and push-button
- pre-adjusted input for standard signals 0-10 V and 0/4-20 mA
- free adjustment on the input signal
- 8 different display types adjustable as bar, dot/point or curtain
- free choice of direction and display of centre (e.g. bars starting from the middle of display)
- control of brightness level in stages
- protection class IP65
- plug-in terminal
- optional: switchable colours green/orange, blue/red

• **Direct current, direct voltage**



Supply 24 VDC

horizontal

**MB1-33RHO.0001.770BD**

**173,40**

vertical

**MB1-33RVO.0001.770BD**

**173,40**

Supply 230 VAC

horizontal

**MB1-33RHO.0001.570BD**

**173,40**

vertical

**MB1-33RVO.0001.570BD**

**173,40**

• **Product key options**

M	B	1-	3	3	R	3	H	O.	0	0	0	1.	7	7	0	B	D
M	B	1-	3	3	R	3	V	O.	0	0	0	1.	7	7	0	B	D

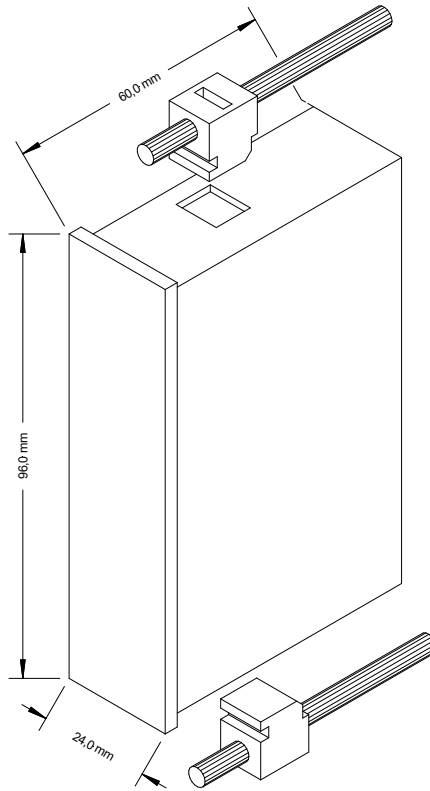
D	Dimension/physical unit, customer-specific settings	20,00
B	Blue/Red bargraph display	31,80
Y	Green/Orange bargraph display	15,90

Please state physical unit in order, e.g. %.

• **Technical data**

<b>Dimensions</b>	Housing Panel cut-out Fixing Housing material Sealing material Protection class Weight Connection	B96 x H24 x D60 mm (D=75 mm incl. plug-in terminal) 92.0 <sup>+0.8</sup> x 22.0 <sup>+0.3</sup> mm screw elements for insulation thickness up to 3 mm PC Polycarbonate; colour: black UL94V-0 EPDM, 65 Shore front IP65 standard, rear side IP00 approx. 100 g plug-in terminal; line cross section up to 2.5 mm <sup>2</sup>
<b>Display</b>	Bargraph Bargraph segment Segment colour Display range Overflow Underflow Display time/Meas. time	30 points 4 mm red/green selectable, optionally green/orange, blue/red 30 point bargraph display all segments are flashing, except the last three segments flashing of the first three bargraph elements approx. 100 ms
<b>Measuring input</b>	Span Measuring range Input resistance Measuring fault Temperature drift Measuring time Measuring principle Resolution	-12...12 V / -22 mA...24 mA 0...10 V / 0/4...20 mA Ri at ~200 kΩ / Ri at ~100 Ω 0.5% of final value, ±1 Digit / 0.5% of final value, ±1 Digit 100 ppm/K approx. 100 ms U/F-converter approx. 14 Bit at 0.1 s measuring time
<b>Power pack</b>	Supply	24 VDC, ±10% (max. 2 VA) 230 VAC, ±10% 50/60 Hz, max. 3 VA
<b>Memory</b>	EEPROM	Data life ≥ 100 years at 25°C
<b>Ambient conditions</b>	Working temperature Storing temperature Climatic density	0 to +60°C -20 to +80°C relative humidity 0-85% on years average without dew
<b>CE-sign</b>	Conformity to directive 2014/30/EU	
<b>EMV</b>	EN 61326, EN 55011	
<b>Safety standard</b>	According to low voltage directive 2014/35/EU, EN 61010, EN 50554-1	

**Housing:**



**• Ordering code**

	M	B	1-	3	3	R	H	O.	0	0	0	1.	7	7	0	B	D
<b>Basic type M-Line</b>																	
Bargraph display		B															
<b>Installation depth</b> 75 mm (incl. plug-in terminal)																	
<b>Housing size</b> B96xH24xD60 mm																	
<b>Resolution</b> 30 points																	
<b>Display colours</b> Green/Orange Red/Green Blue/Red																	
<b>Adjustment</b> Horizontal Vertical																	
<b>Digital display</b> without																	

**Dimension**  
D physical unit

**Version**  
B B

**Setpoints**  
0 no setpoints

**Protection class**  
7 IP65 / plug-in terminal

**Voltage supply**  
7 24 VDC galv. isolated  
5 230 VAC ±10%

**Measuring input**  
1 Standard signal 0/4-20 mA, 0-10 VDC

**Analog output**  
0 without

**Sensor supply**  
0 without

**Interface**  
0 without