



MB3 – 3-digit digital panel meter in 96x24mm with bargraph Direct voltage/direct current signals 300 VDC, 1 ADC

- red 3-digit digital display -199...999 Digits (optional green display)
- 30-points-bargraph tricolour
- adjustable bargraph or dot operation or operation with permanent display of the midpoint
- installation depth: 120 mm without plug-in screw terminal
- multi voltage power supply units 100-240 VAC
- display adjustment via factory setting or directly via sensor signal
- min/max-memory with adjustable permanent display
- 30 additional adjustable support points
- display flashing at threshold value exceedance/undercut
- zero key for the triggering of Hold, Tara, display change, setpoint setting, alarm actuation
- flexible alarm system with adjustable delay time
- volume metering (Totaliser)
- mathematic functions like reciprocal value, root extraction, squaring and rounding
- sliding averaging
- programming interlock via access code
- protection class IP65 at the front
- plug-in screw terminal
- optional: 1 or 2 relay outputs
- optional: 1 independently scalable analog output
- accessories: PC-based configuration-kit PM-TOOL with USB-adapter
- on demand: devices for working temperatures of -25°...60°C

ORDER NUMBER
(without options)

EUR

• **Direct voltage, direct current**

Supply 100-240 VAC
DC ± 10%

horizontal

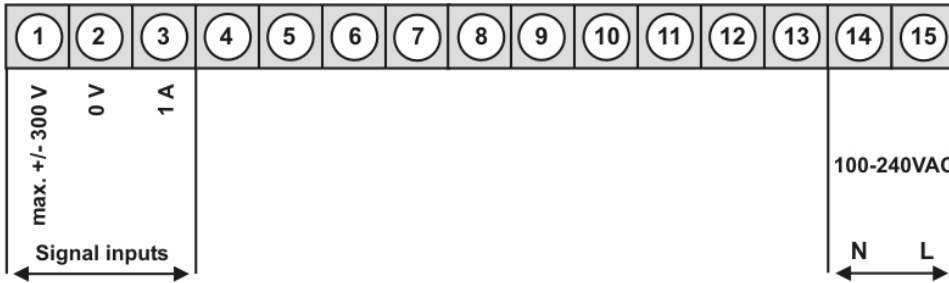
MB3-3VT3HR.0H01.S70xD

312,40

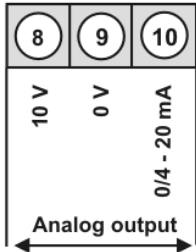
vertical

MB3-3VT3VR.0H01.S70xD

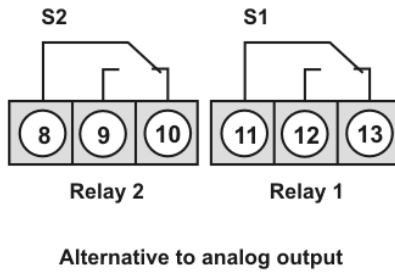
312,40



Options:



or



• **Product key options**

M	B	3-	3	V	T	3	H	R.	0	H	0	1.	S	7	0	x	D
M	B	3-	3	V	T	3	V	R.	0	H	0	1.	S	7	0	x	D

EUR

D	Dimension/physical unit, customer-specific settings	20,00
1	1 relay output (with option analog output, only one switching point is possible)	21,20
2	2 relay outputs	31,80
X	Analog output 0/4-20 mA, 0-10 VDC	95,30
G	8 mm green display	10,60

Please state physical unit in order, e.g. %.

ORDER NUMBER

EUR

• **Parameterisation software**

Parameterisation software PM-TOOL, for devices without keypad, for a simple adjustment of standard devices, incl. USB-adapter. Programming happens via an interface on the back.

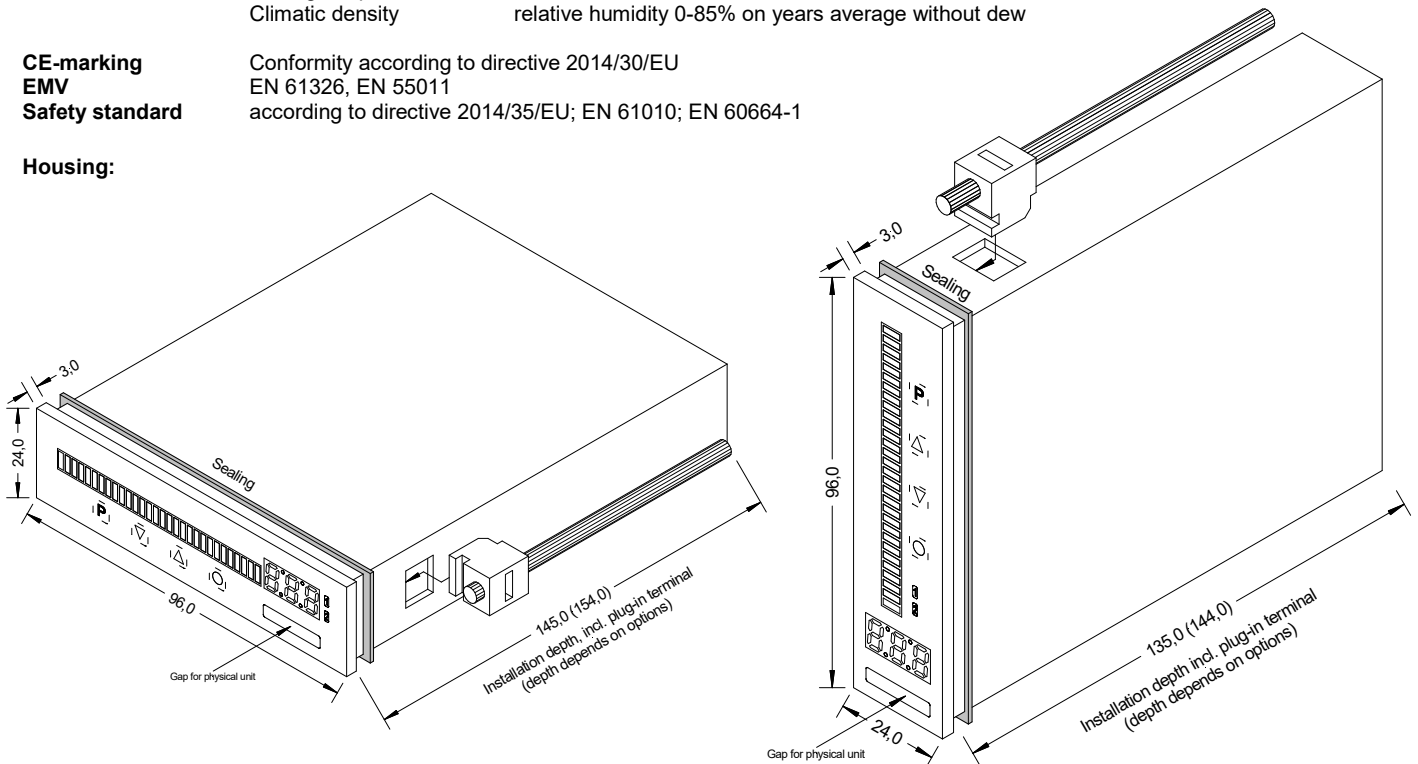
PM-Tool-MUSB4

94,30

• **Technical data**

Dimensions	Housing Panel cut-out Fixing Housing material Sealing material Protection class Weight Connection	B96 x H24 x T120 mm (T=144 mm incl. plug-in terminal) 92.0 ^{+0.8} x 22.0 ^{+0.3} mm screw elements for a wall thickness of up to 3 mm PC Polycarbonate, colour black UL94V-0 EPDM, 65 Shore IP65 standard at the front, IP00 at the back approx. 200 g plug-in terminal; wire cross section up to 2.5 mm ²
Display	Display Display Bargraph Segment colour Overflow Underflow Display time	3-digit, 8 mm high -199...999 30 digit, tricolour red, optional green flashing of the two upper bargraph elements flashing of the two lower bargraph elements 0.01...10.0 seconds
Measuring input	Measuring span Measuring range Input resistance Measuring error Temperature drift Measuring time Measuring principle Resolution	-300...300 VDC / -1...1 ADC 0... 300 VDC / 0...1 ADC Ri at ~1 MΩ / Ri at ~0,2 Ω 0.5% of final value, ± 1 digit 100 ppm/K 0.1...10.0 seconds U/F-converter approx. 18 bit at 1 second measuring time
Output	Relay Switching cycle Analog output Sensor supply	with change-over contact 250 V / 2 AAC, 30 V / 2 ADC 30 * 10 ³ at 2 AAC, 2 ADC ohm resistive load, 10 * 10 ⁶ mechanically Separation according to DIN EN50178 / Specific values according to DIN EN 60255 0-10 VDC / burden ≥ 10 kΩ, 0/4-20 mA / burden ≤ 500 Ω, 16 Bit 24 VDC / 50 mA 10 VDC / 20 mA
Digital input	Input	< 2.4 V OFF; 10 V ON; max. 30 VDC Ri ~ 5 kΩ
Interface	Protocol RS232 Wire length RS485 Wire length	manufacturer-specific ASCII 9.600 baud, no parity, 8 dataBit, 1 stopBit max. 3 m 9.600 baud, no parity, 8 dataBit, 1 stopBit max. 1000 m
Power pack	Supply	100-240 VAC 50/60 Hz / DC ±10 % (max. 10 VA)
Memory	EEPROM	Data life ≥ 100 years at 25°C
Ambient conditions	Working temperature Storing temperature Climatic density	0°C to +50°C -20°C to +80°C relative humidity 0-85% on years average without dew
CE-marking EMV Safety standard	Conformity according to directive 2014/30/EU EN 61326, EN 55011 according to directive 2014/35/EU; EN 61010; EN 60664-1	

Housing:



• Order key

	M	B	3-	3	V	T	3	H	R.	0	H	0	1.	S	7	2	x	D	
Standard type M-Line																			
Bargraph display	B																		
Installation depth																			
144 mm (incl. plug-in terminal)			3																
Housing size																			
B96xH24xD120 mm			3																
Display type																			
V, A		V																	
Bargraph colours																			
Tricolour (red, green, orange)				T															
Resolution																			
30 points			3																
Adjustment																			
horizontal				H															
vertical				V															
Digital display																			
3-digit, 8 mm, green				G															
3-digit, 8 mm, red				R															
Digital input																			
none				0															

Dimension

D Physical unit

Version

x Internal version

Switching points

0 no switching point

1 1 switching point

2 2 switching points

Protection class

1 Without keypad, operation on the back

7 IP65 / plug-in terminal

Supply voltage

S 100-240 VAC

Measuring input

1 Direct voltage, direct current

Analog output

0 none

X 0-10 VDC, 0/4-20 mA

Special measuring inputs H

H 300 VDC, 1 ADC