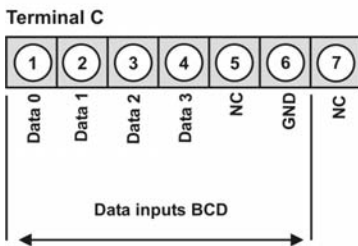
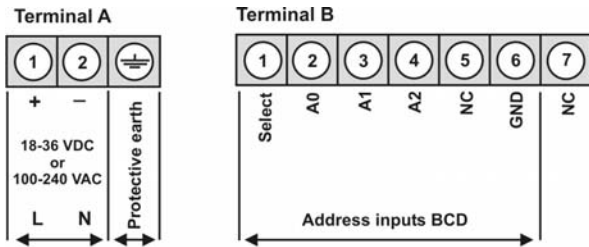


MG – 4-digit large size displays for indoor use BCD address coded

- red display of -999...9999 Digits (optional 3, 5 or 6 digits)
- digit height 57 mm or 100 mm, 200 mm on demand
- Aluminium profile housing, protection class IP65
- built-on devices or panel meter
- 9 free selectable character sets
- programming interlock via code input
- on demand: outdoor devices with ultra-bright LED and heating



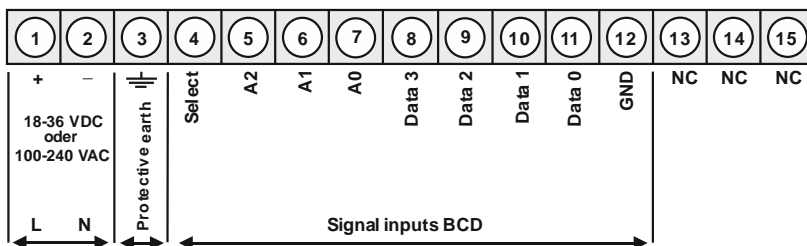
Built-on enclosure



Supply	Order number (without options)	EUR
57 mm 100-240 VAC	MG-ABR41.B000.S10BD1	730,00
57 mm 18-36 VDC	MG-ABR41.B000.710BD1	820,00
100 mm 100-240 VAC	MG-ABR42.B000.S10BD1	1000,00
100 mm 18-36 VDC	MG-ABR42.B000.710BD1	1090,00

Panel housing

57 mm 100-240 VAC	MG-BBR41.B000.S10BD3	730,00
57 mm 18-36 VDC	MG-BBR41.B000.710BD3	820,00
100 mm 100-240 VAC	MG-BBR42.B000.S10BD3	1000,00
100 mm 18-36 VDC	MG-BBR42.B000.710BD3	1090,00



Order key options

M	G	-	A	B	R	4	X.	B	0	0	0.	X	1	0	B	D	1	Built-on enclosures	
M	G	-	B	B	R	4	X.	B	0	0	0.	X	1	0	B	D	3	Panel housing	EUR
												5						200 mm LED	on request
												X						Number of digits: 3, 5, or 6 digits	on request
												G						Green LED	
												X						Further device types	on request

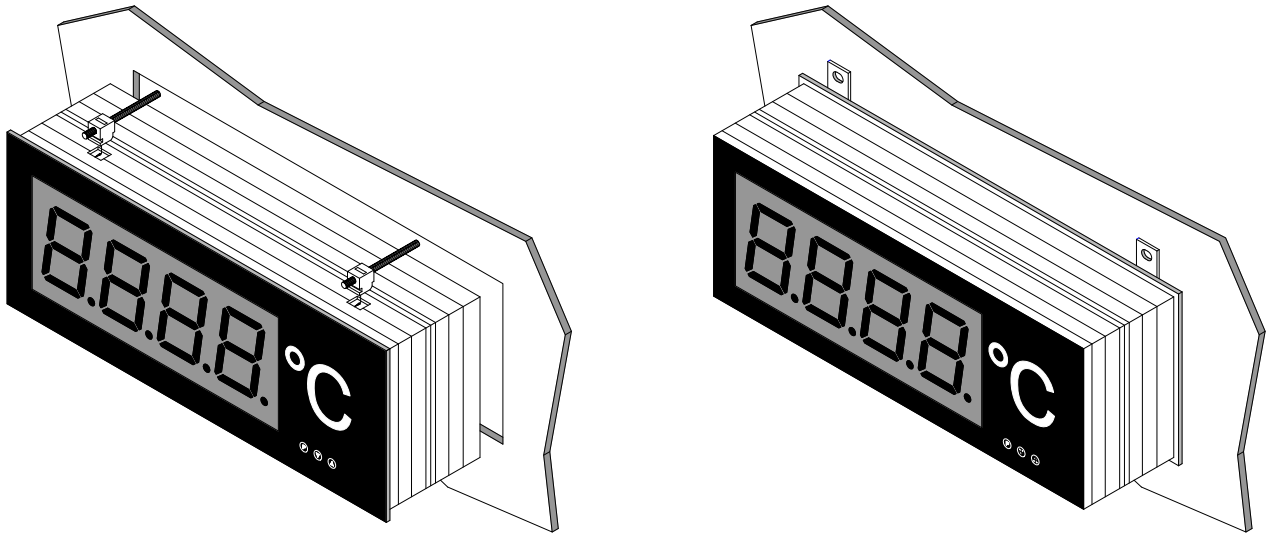
State physical unit by order on demand, e.g. kg.

Large-size displays

• Technical data

Dimensions	Built-on enclosure	57 mm display: 316 mm x 124 mm x 82 mm (WxHxD) 100 mm display: 526 mm x 176 mm x 82 mm (WxHxD)
	Fixing	via fixing flange at the back
	Housing material Protection	Aluminium, black, powder-coated IP65
Connection	Type of plug	circular plug-in connector Binder-Series 693
	Cable admission	PG9 (6.0 ... 9.5 mm)
	Protection class	IP65
	Mechanic durability	> 500 contact durability
	Connection type	screws
Terminal A	Number of poles	3 + PE
	Cable cross section	0.5...2.5 mm (AWG 20...14)
	Rating voltage	400 V
	Rating current	12 A
Terminal B & C	Number of poles	7
	Cable cross section	0.34...1.5 mm (AWG 22...16)
	Rating voltage	250 V
	Rating current	8 A
Dimensions	Panel housing	57 mm display: W 316 mm x H 124 mm x D 104 mm 100 mm display: W 526 mm x H 176 mm x D 104 mm
	Panel cut-out	57 mm display: W 310.0 x H 118.0 ^{+/-0.5} mm 100 mm display: W 520.0 x H 176.0 ^{+/-0.5} mm
	Fixing	Screw-/clamp fixing
	Housing material	Aluminium, black, powder-coated
	Protection	Front IP65, Connection IP00
Connection	Terminal type	15-pole removable screw clamp for in- and outputs for conductor diameter up to 1.5 mm ²
Weight	57 mm display	approx. 3.0 kg
	100 mm display	approx. 5.0 kg
Display	Display	7-segment LED
	Digit height	57 mm, 100 mm
	Segment colour	red
	Number of digits	4 digits
	Display range	depends on sets of characters
	Area	Indoor
Interface	BCD	HIGH/LOW $\geq 4,5$ V / $\leq 2,4$ V
Memory	EEPROM	Data life > 20 years
Output	Sensor supply	24 VDC / 50 mA
	Relay	With change-over contact 259 V / 5 AAC / 5 AAC, 30 V / 5 ADC
	Switching cycles	30*10 ³ at 5 AAC, 5 ADC ohm resistive burden, 10*10 ⁶ mechanically Division according to DIN EN50178 / Characteristics according to DIN EN60255
Power unit	Power supply	100-240 VAC nominal voltage $\pm 10\%$, 50/60 Hz 18-36 VDC, galv. isolated
	Power consumption	max. 30 VA
Ambient conditions	Working temperature	0...60°C
	Storing temperature	-20...80°C
	Climatic resistance	rel. humidity ≤ 75 % on year average without dew
EMV	EN 61326	
CE-sign	Conformity to 2014/30/EU	
Safety standard	according to low voltage directive 2014/35/EU; EN61010; EN 60664-1	

- **Assembly picture for panel and built-on enclosure**



- **Dimensions**

57 mm display

Number of digits	Length L	Length LA	Height H	Height HA
3-digit with dimension	268 mm	262 mm	124 mm	118 mm
4-digit with dimension	316 mm	310 mm		
5-digit with dimension	364 mm	358 mm		
6-digit with dimension	412 mm	406 mm		

100 mm display

Number of digits	Length L	Length LA	Height H	Height HA
3-digit with dimension	436 mm	430 mm	176 mm	170 mm
4-digit with dimension	526 mm	520 mm		
5-digit with dimension	616 mm	610 mm		
6-digit with dimension	706 mm	700 mm		

