

MG – 4-digit large-size indicator for indoor use

Interface: Profibus DP

- red display from -1999...9999 digits (optional 6 or 8 digits)
- digit height 57 mm, 100 mm or 200 mm
- protection class IP65
- built-on enclosure or built-in enclosure
- pressure balance membrane for ventilation and de-airing
- display adjustment via factory setting or directly on the sensor signal
- min/max-value recording
- programming interlock via access code
- brightness sensor
- accessories: PC based configuration kit PM-TOOL with USB-plug



• ORDER NUMBER

(without options)

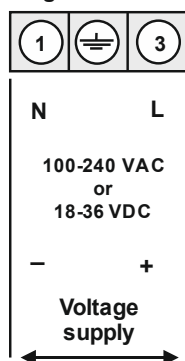
EUR

Built-on enclosure

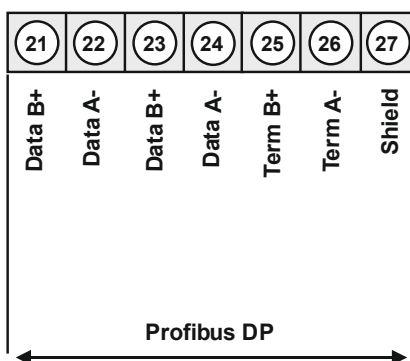
57 mm	100-240 VAC	MG-ADR41.9000.S10xO	1.175.00
57 mm	18-36 VDC	MG-ADR41.9000.710xO	1.239.00
100 mm	100-240 VAC	MG-ADR42.9000.S10xO	1.503.80
100 mm	18-36 VDC	MG-ADR42.9000.710xO	1.567.30
200 mm	100-240 VAC	MG-ADR45.9000.S10xO	2.626.30
200 mm	18-36 VDC	MG-ADR45.9000.710xO	2.689.90

• Connection

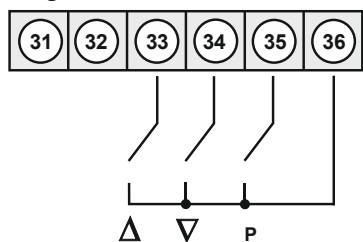
Plug A:



Plug C: MG-xDR41.9000.x10A0



Plug D:



Connection external keypad

ORDER NUMBER

EUR

• **Parameterisation software**

PC-based configuration software PM-TOOL, for devices without keypad or a simple adjustment of standard devices, incl. USB adapter.

PM-TOOL-USB

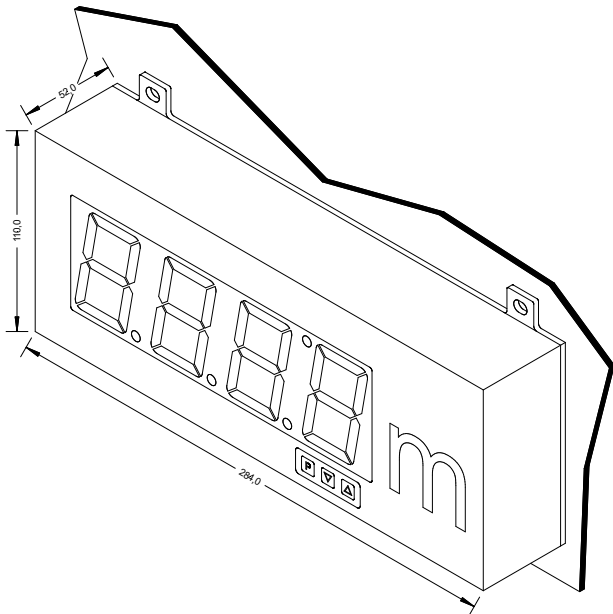
30.70

• **Order key for options**

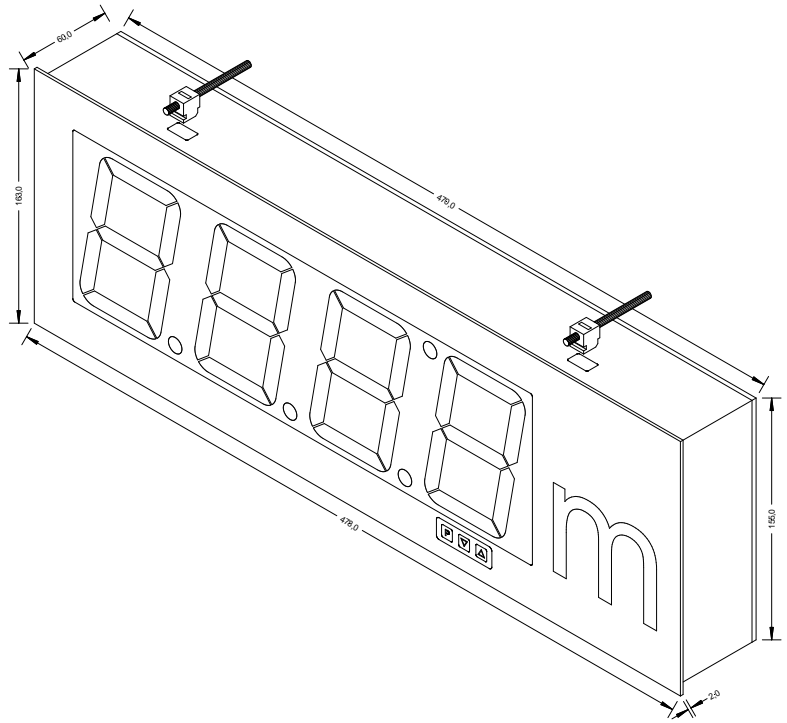
M	G	-	A	D	R	4	1	9	0	0	0	S	1	0	x	O	Supply 100-240 VAC / DC ±10%		
M	G	-	A	D	R	4	1	9	0	0	0	7	1	0	x	O	Supply 18-36 VDC galv. isolated	EUR	
																	D	Dimension: max. 3-digit	31.80
																	1	57 mm digit height	
																	2	100 mm digit height	
																	3	200 mm digit height	
																	6	Number of digits: 6 – 57 mm	275.30
																	6	Number of digits: 6 – 100 mm	391.80
																	8	Number of digits: 8 – 57 mm	550.70
																	8	Number of digits: 8 – 100 mm	783.70
																	8	Number of digits: 8 – 200 mm	on request
																	G	Green LED	on request
																	B	Blue	on request
																	Y	Orange	on request
																	B	Installation housing 57 mm, max. 4-digit	190.60
																	B	Installation housing 100 mm, max. 4-digit	296.50

• **Housing dimensions**

Built-on enclosure



Built-in enclosure



• **Technical data**

Dimensions	Built-on enclosure	57 mm display: 284 mm x 110 mm x 52 mm (WxHxD) 100 mm display: 470 mm x 155 mm x 58 mm (WxHxD) 200 mm display: 998 mm x 276 mm x 58 mm (WxHxD)
	Built-in enclosure	57 mm display: 100 mm display: 478 mm x 155 mm x 60 mm (WxHxD) 474 ^{-0.5} mm x 159 ^{-0.5} mm (WxH) = panel cut-out
Material	Aluminium, black, powder-coated	
Protection class	IP65 complete	
Connection	Built-on enclosure Plug (intern)	PG-screws, on the rear side of the enclosure Plug A: 3-pole plug-in terminal for voltage supply Plug C: 6-pole plug-in terminal for interface Plug D: 6-pole plug-in terminal for external (optional)
Weight	57 mm display (4-digit): approx. 1.3 kg 100 mm display (4-digit): approx. 2.7 kg	
Display	Display	Power LED
	Digit height	57 mm, 100 mm
	Segment colour	red, green (orange, blue on request)
	Number of digits	4, optional 6 or 8 digits
	Display range	-1999 to 9999
	Oberflow	horizontal bars at the top
	Underflow	horizontal bars at the bottom
	Display time	0.01 to 2.0 seconds
	Application area	Indoor / Outdoor
Interface serial		
Protocol	Profibus DP	
Baud rate	Autobaud recognition up to 12 MBaud	
Interface	RS485	
Wire length	max. 1000 m	
Bus termination	Pull-up/Pull-down according to EN 50170	
Termination	activatable via connection terminal	
Power supply	Supply	100-240 VAC 50/60 Hz, DC ±10% 18-36 VDC, galv. isolated
	Power consumption	max. 50 VA, max. 200 mm display
Memory	EEPROM	Data life ≥100 years at 25°C
Ambient conditions	Working temperature	-20...+50°C
	Storing temperature	-30...+70°C
	Weathering resistance	rel. humidity 0-75 % on years average without dew
EMV	EN 61326	
CE-sign	conformity according to 2014/30/EU	
Safety requirements	According to low voltage directive 2014/35/EU; EN 61010; EN 60664-1	

• Order key

	M	G	-	A	D	R	4	1	9	0	0	0	S	1	0	x	O	
Standard type M-line																		Dimension
																		<input type="checkbox"/> O without
Large-size indicator																		<input type="checkbox"/> D max. 3 characters
Housing type																		Version
Built-on enclosure				<input type="checkbox"/> A														<input type="checkbox"/> x Internal version
Built-in enclosure				<input type="checkbox"/> B														
Display type																		Switching points
Digital					<input type="checkbox"/> D													<input type="checkbox"/> 0 without
Display colour																		Operation
Red					<input type="checkbox"/> R													<input type="checkbox"/> 1 Keys at the front
Green (on request)					<input type="checkbox"/> G													<input type="checkbox"/> E Connection for external keypad
Orange (on request)					<input type="checkbox"/> Y													
Blue (on request)					<input type="checkbox"/> B													Voltage supply
																		<input type="checkbox"/> 7 18-36 VDC galv. isolated
																		<input type="checkbox"/> S 100-240 VAC
Number of digits																		Measuring input
4-digit						<input type="checkbox"/> 4												<input type="checkbox"/> 0 Interface
6-digit						<input type="checkbox"/> 6												
8-digit						<input type="checkbox"/> 8												
Digit height																		Analog output*
57 mm						<input type="checkbox"/> 1												<input type="checkbox"/> 0 without
100 mm						<input type="checkbox"/> 2												
200 mm						<input type="checkbox"/> 5												Sensor supply
																		<input type="checkbox"/> 0 without
Interface																		
Profibus DP						<input type="checkbox"/> 9												

* Option „Analog output“ is not combinable with “Interface”!