

# MG – 4-digit large-size indicator for indoor use

## Interface: RS232/RS485 ASCII protocol

- red display from -1999...9999 digits (optional 6 or 8 digits)
- digit height 57 mm, 100 mm or 200 mm
- protection class IP65
- wall-mounting or panel-mounting enclosure
- pressure balance membrane for air ventilation and de-airing
- indicator adjustment via factory setting or directly on the sensor signal
- min/max value recording
- programming interlock via access code
- brightness sensor
- accessories: PC based configuration kit PM-TOOL with USB-plug



### • ORDER NUMBER

(without options)

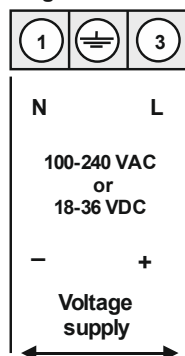
EUR

### Built-on enclosure

57 mm	100-240 VAC	<b>MG-ADR41.5(6)000.S10xO</b>	<b>776.80</b>
57 mm	18-36 VDC	<b>MG-ADR41.5(6)000.710xO</b>	<b>831.30</b>
100 mm	100-240 VAC	<b>MG-ADR42.5(6)000.S10xO</b>	<b>1.106.70</b>
100 mm	18-36 VDC	<b>MG-ADR42.5(6)000.710xO</b>	<b>1.146.90</b>
200 mm	100-240 VAC	<b>MG-ADR45.5(6)000.S10xO</b>	<b>2.250.40</b>
200 mm	18-36 VDC	<b>MG-ADR45.5(6)000.710xO</b>	<b>2.313.90</b>

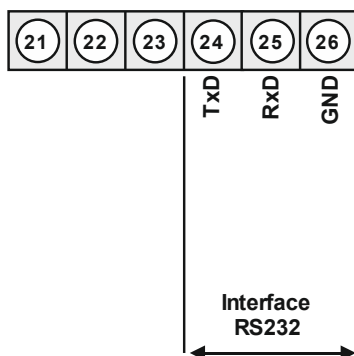
### • Connection

#### Plug A:

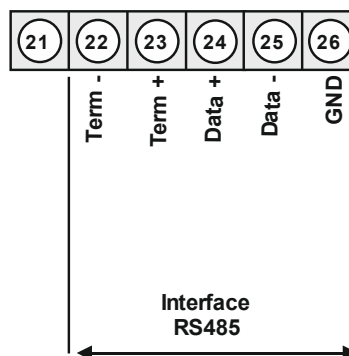


#### Plug C:

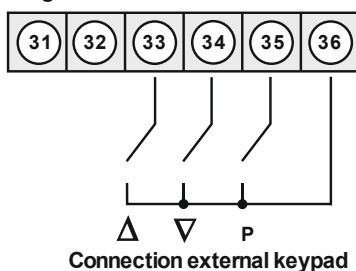
#### MG-xDR41. 5000.x10A0 / RS232



#### MG-xDR41. 6000.x10A0 / RS485



#### Plug D:



ORDER NUMBER

EUR

• **Parameterisation software**

PC-based configuration software PM-TOOL, for devices without keypad and a simple parameterisation of standard devices, incl. USB adapter.

PM-TOOL-USB

30.70

• **Order key for options**

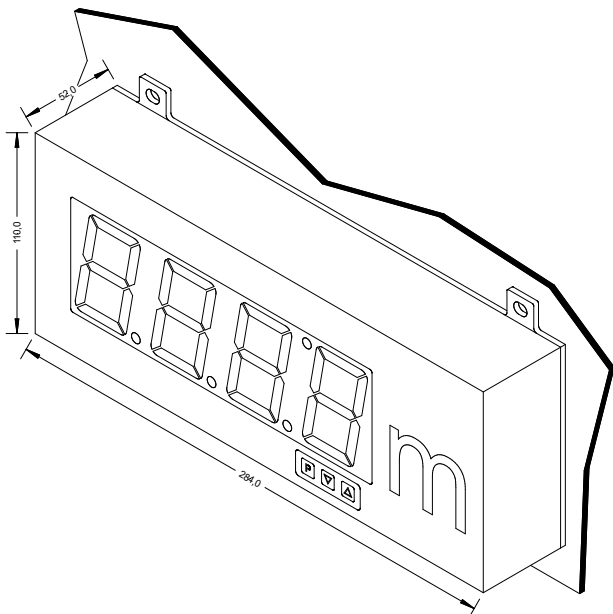
M	G	-	A	D	R	4	1.	5(6)	0	0	0.	S	1	0	x	O			
M	G	-	A	D	R	4	1.	5(6)	0	0	0.	7	1	0	x	O			

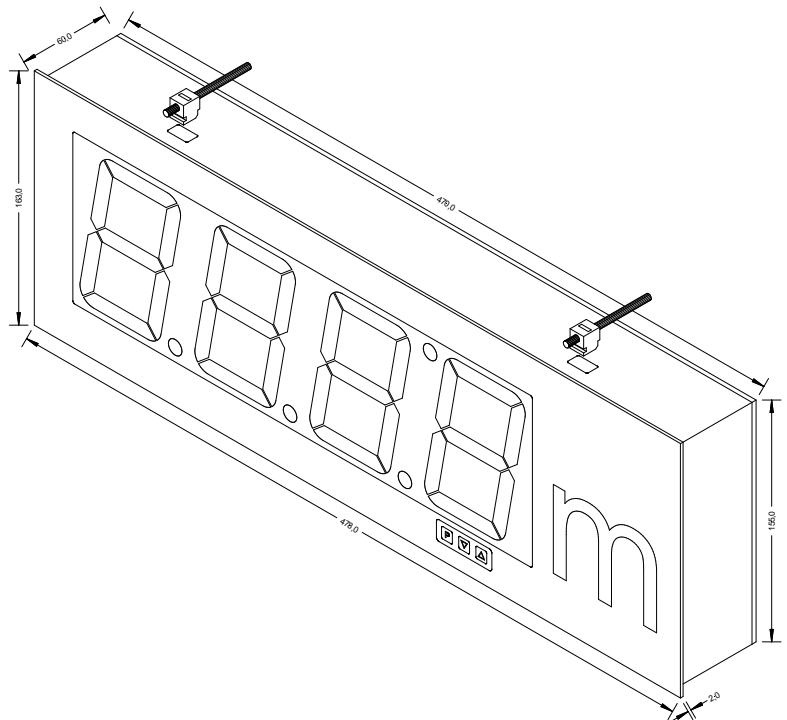
Supply 100-240 VAC / DC +/-10%		EUR
<b>D</b>	Dimension: max. 3-digit	31.80
<b>1</b>	57 mm digit height	
<b>2</b>	100 mm digit height	
<b>3</b>	200 mm digit height	
<b>6</b>	Number of digits: 6 – 57 mm	275.30
<b>6</b>	Number of digits: 6 – 100 mm	391.80
<b>8</b>	Number of digits: 8 – 57 mm	550.70
<b>8</b>	Number of digits: 8 – 100 mm	783.70
<b>8</b>	Number of digits: 8 – 200 mm	on request
<b>G</b>	Green LED	on request
<b>B</b>	Blue	on request
<b>Y</b>	Orange	on request
<b>B</b>	Installation enclosure 57 mm, 4-digit	190.60
<b>B</b>	Installation enclosure 57 mm, 4-digit	296.50

• **Enclosure dimensions**

Built-on enclosure



Installation enclosure



## • Technical data

<b>Dimensions</b>	Built-on enclosure	57 mm display: 284 mm x 110 mm x 52 mm (WxHxD) 100 mm display: 470 mm x 155 mm x 58 mm (WxHxD) 200 mm display: 998 mm x 276 mm x 58 mm (WxHxD)
	Installation enclosure	57 mm display: 100 mm display: 478 mm x 155 mm x 60 mm (WxHxD) 474 <sup>-0.5</sup> mm x 159 <sup>-0.5</sup> mm (WxH) = panel cut-out
<b>Material</b>	Aluminium, black, powder-coated	
<b>Protection class</b>	IP65 complete	
<b>Connection</b>	Built-on enclosure Plug (intern)	PG-screwing, on the rear side of the housing Plug A: 3-pole plug-in terminal for voltage supply Plug C: 6-pole plug-in terminal for interface Plug D: 6-pole plug-in terminal for external keypad (optional)
<b>Weight</b>	57 mm display (4-digit): approx. 1.3 kg 100 mm display (4-digit): approx. 2.7 kg	
<b>Display</b>	Display Digit height Segment colours Number of digits Display range Overflow Underflow Display time Application area	power LED 57 mm, 100 mm red, green (orange, blue on request) 4, optional 6 or 8 digits -1999 to 9999 horizontal bars at the top horizontal bars at the bottom 0.01 to 2.0 seconds Indoor / Outdoor
<b>Interface serial</b>	adjustable ASCII protocol	
Protocol	adjustable ASCII protocol	
Baud rate	300, 1200, 2400, 4800, 9600, 19200, 38400, 57600, 115200	
Interfaces	RS232 / RS485 parametrierbar	
Wire length RS232	max. 3 m at 57600 Baud (the smaller the Baud rate, the larger wire length are possible)	
Wire length RS485	max. 1000 m	
Bus participants	max. 32	
Termination	activatable via connection terminal	
<b>Power supply</b>	Supply	100-240 VAC 50/60 Hz, DC ±10% 18-36 VDC, galv. isolated
	Power consumption	max. 50 VA, max. 200 mm display
<b>Memory</b>	EEPROM	data life ≥100 years at 25°C
<b>Ambient conditions</b>	Working temperature	-20...+50°C
	Storing temperature	-30...+70°C
	Weathering resistance	rel. humidity 0-75 % on years average without dew
<b>EMV</b>	EN 61326	
<b>CE-sign</b>	conformity according to 2014/30/EU	
<b>Safety requirements</b>	according to low voltage directive 2014/35/EU; EN 61010; EN 60664-1	

• Order key

	M	G	-	A	D	R	4	1.	6	0	0	0.	S	1	0	x	O	
<b>Standard type M-Line</b>																		<b>Dimension</b>
																		<input type="checkbox"/> O without
<b>Large-size indicator</b>																		<input type="checkbox"/> D max. 3 characters
<b>Type of enclosure</b>																		<b>Version</b>
Built-on enclosure				<input type="checkbox"/> A														<input type="checkbox"/> x Internal version
Installation enclosure				<input type="checkbox"/> B														
<b>Display type</b>																		<b>Switching points</b>
Digital					<input type="checkbox"/> D													<input type="checkbox"/> 0 none
<b>Display colour</b>																		<b>Operation</b>
Red					<input type="checkbox"/> R													<input type="checkbox"/> 1 Keys on the front
Green (on request)					<input type="checkbox"/> G													<input type="checkbox"/> E Connection via external keypad
Orange (on request)					<input type="checkbox"/> Y													
Blue (on request)					<input type="checkbox"/> B													<b>Voltage supply</b>
																		<input type="checkbox"/> 7 18-36 VDC galv. isolated
																		<input type="checkbox"/> S 100-240 VAC
<b>Number of digits</b>																		<b>Measuring input</b>
4-digit						<input type="checkbox"/> 4												<input type="checkbox"/> 0 Interface
6- digit						<input type="checkbox"/> 6												
8- digit						<input type="checkbox"/> 8												
<b>Digit height</b>																		<b>Analog output*</b>
57 mm						<input type="checkbox"/> 1												<input type="checkbox"/> 0 none
100 mm						<input type="checkbox"/> 2												
200 mm						<input type="checkbox"/> 5												<b>Sensor supply</b>
																		<input type="checkbox"/> 0 none
<b>Interfaces</b>																		
RS232 ASCII protocol						<input type="checkbox"/> 5												
RS485 ASCII protocol						<input type="checkbox"/> 6												

\* The option „Analog output“ is not combinable with option “Interface”!