



## Digital panel meter with microprocessor based technology 4-digit

### P4

- Current loop indication
- Foil keyboard
- Character height 14 mm
- Min/max memory
- IP54 standard
- Tare function
- 30 points linearization

# Digital panel meter

- Current loop indication for direct current



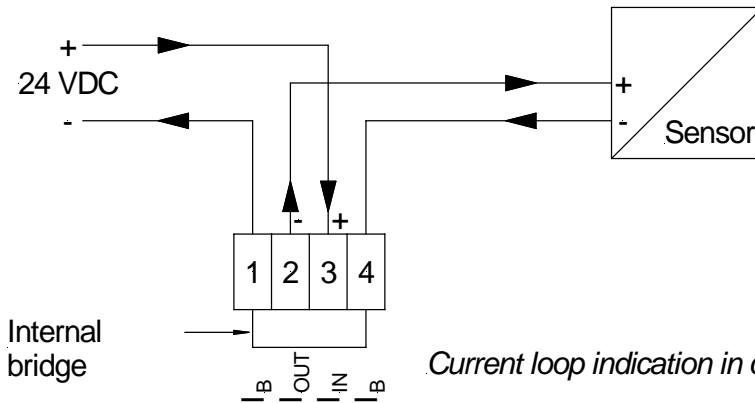
- **Direct current**

ORDER NUMBER OF TYPE  
(without options)

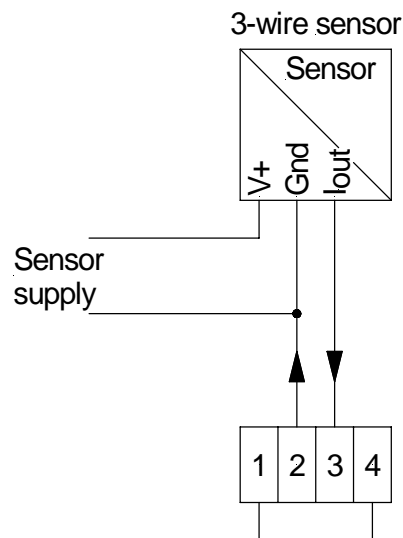
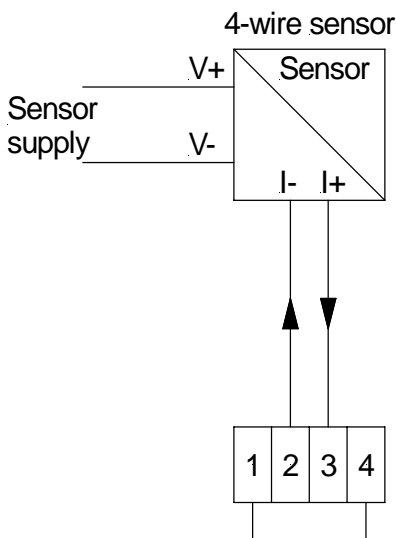
EUR

**P4.001.6K9C**

145,00



Current loop indication in connection with a transmitter.



Current loop indication in connection with a transmitter 3-/4-wire sensor.

## OPTIONS P4

Protection IP65 at the front

P4.001...  
Direct current

Additional price

EUR

x

10,25

# Technical data

<b>Dimensions</b>	Housing	W 72 x H 36 x D 36 mm, (including screw terminal 52 mm)
	Assembly cut out	68,0 <sup>+0.7</sup> x 33,0 <sup>+0.6</sup> mm
	Fastening	special quick plastic clamp
	Housing material	PC/ABS-plastic blend, colour black, UL94V-0
	Protective system	at the front IP54 – option IP65
		connection IP00
	Weight	approx. 65 g
<b>Input</b>	Connection	At the rear side via screw terminal up to 1.5 mm <sup>2</sup>
	Measuring range	4-20 mA
<b>Accuracy</b>	Input resistance	Ri with: 20 mA < 280 Ω
	Resolution	-999 up to +9999 digit
	Measuring fault	+/-0.2 % of measuring range, +/- 1 digit
	Temp. drift	120 ppm/K
<b>Indication</b>	Measuring principle	successive approximation
	Display	LED with 7 segments, 14 mm high, red 4 digits = indication 9999
	Overflow/underflow	cross bars above / cross bars below
<b>Ambient conditions</b>	Time of indication	0.5... 10 seconds adjustable
	Working temperature	0 up to + 60 °C
	Storing temperature	-20 up to + 80 °C

## Housing

