



## Digital panel meter with microprocessor based technology 4-digit

### P4

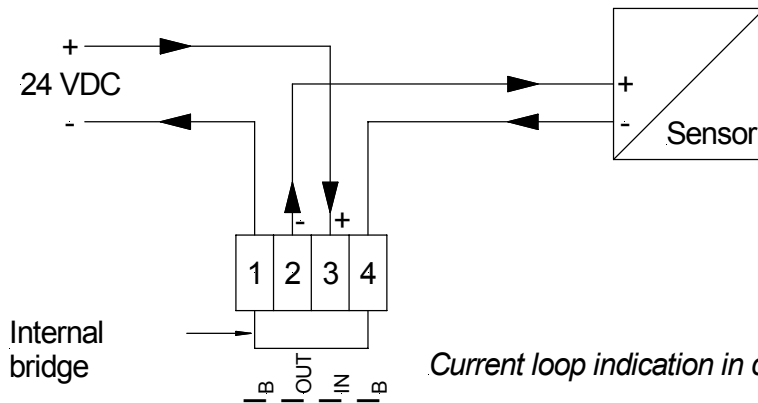
- Current loop indication
- Foil keyboard
- Character height 14 mm
- Min/max memory
- Protection IP54
- Tare function
- 30 points linearization

# Digital panel meter

- Current loop indication for direct current



- *Direct current*



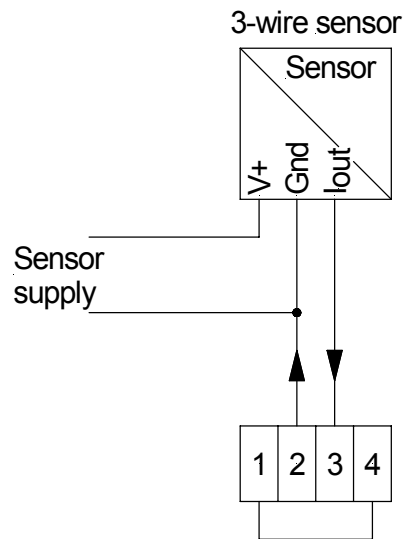
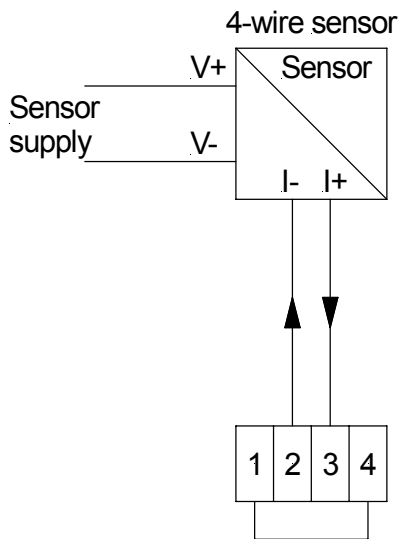
*Current loop indication in connection with a transmitter.*

ORDER NUMBER OF TYPE  
(without options)

EUR

**P4.001.3K9C**

145,00



*Current loop indication in connection with a transmitter 3-/4-wire sensor.*

## OPTIONS P4

Protection IP65 at the front

P4.001...  
Direct current

Additional price

EUR

x

10,25

# Technical data

<b>Dimensions</b>	Housing	W 96 x H 24 x D 36 mm (inclusive screw terminal 52 mm)
	Assembly cut out	92,0 <sup>+0.8</sup> x 22,0 <sup>+0.3</sup> mm
	Fastening	special quick plastic clamp
	Housing material	PC/ABS-plastic blend, colour black, UL94V-0
	Protective system	at the front IP54 – option IP65 connection IP00
	Weight	approx. 100 g
<b>Input</b>	Electrical connection	at the back via screw terminal up to 1.5 mm <sup>2</sup>
	Measuring range	4-20 mA
<b>Accuracy</b>	Input resistance	Ri with 20 mA < 280 Ω
	Resolution	-999 up to +9999 digit
<b>Indication</b>	Measuring fault	+/-0.2% of measuring range, +/- 1 digit
	Temp. drift	120 ppm/K
	Measuring principle	successive approximation
	Display	LED with 7 segments, 14 mm high, red 4 digits = indication 9999
<b>Ambient conditions</b>	Overflow/underflow	cross bars above / cross bars below
	Time of indication	0.5... 10 seconds adjustable
	Working temperature	0 up to + 60 °C
	Storing temperature	-20 up to + 80 °C

## Housing

