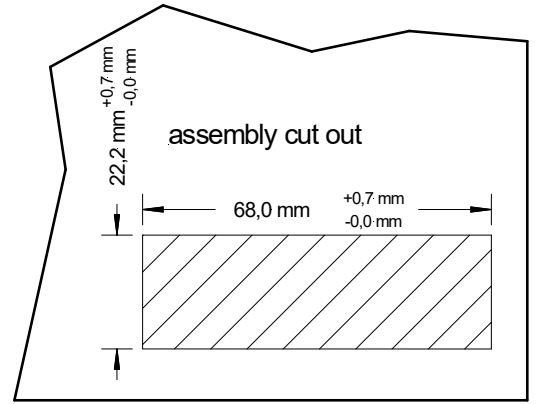
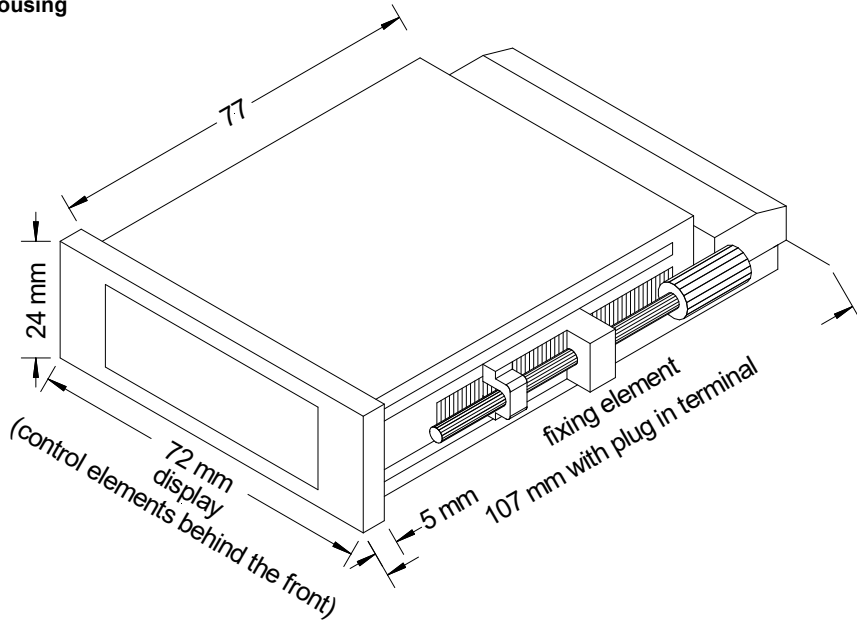


EMV DIN 61326

CE-sign Conformity in accordance with 2014/30/EU

Safety requirement DIN 61010

Housing



• Ordering code

	P	C	4	0	0	0	3	5	7	6	2	B	
Processor device													Version [B] Version B
Type Counter		[C]											Setpoints [2] 2 setpoints
Number of digits 4 digits			[4]										Mechanical options [5] Protection IP54, plug-in terminal [7] Protection IP65 at the front, plug-in terminal
Interface not available				[0]									Power supply [7] 24 VDC (galvanic isolated)
Sensor supply not available				[0]									Size of housing [5] 72x24 mm (BxH)
Analog output not available				[0]									[3] Counter