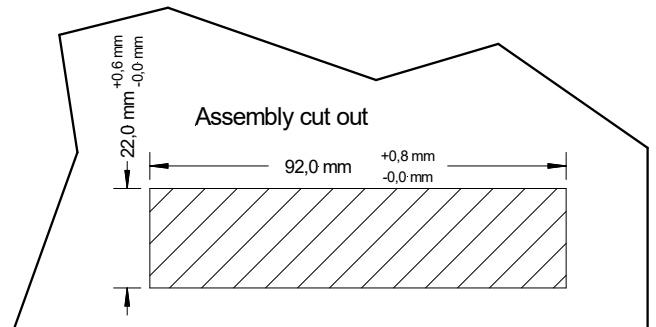
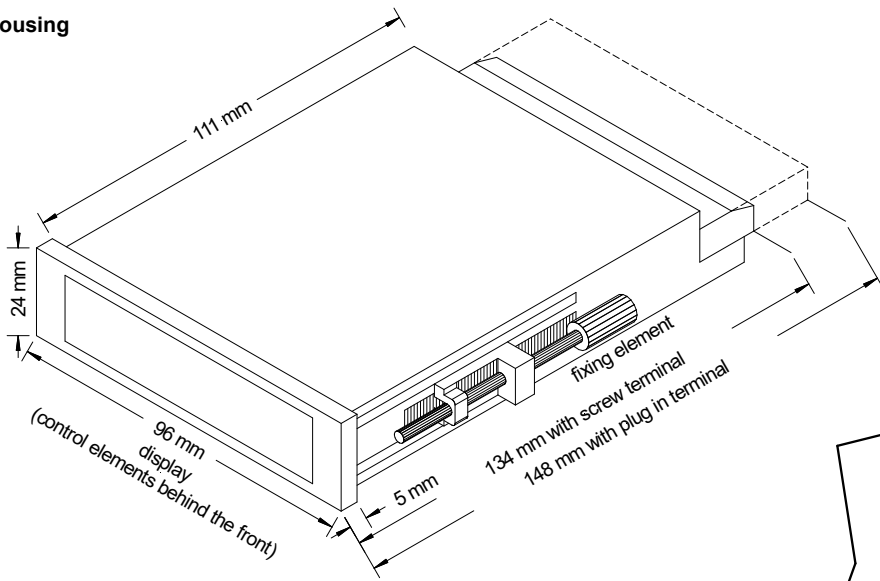


EMV DIN 61326
 CE-sign Conformity in accordance with 2014/30/EU
 Safety requirement DIN 61010

Housing



• **Ordering code**

	P	C	6	0	H	0	3	3	7	3	2	B	
Processor device													Version B Version B
Type Counter		C											Switching points 2 2 switching points
Number of digits 6 digits			6										Mechanical options 3 Operation behind front pane, IP54, screw terminal 5 Operation behind front pane, IP54, plug-in terminal
Interface not available					0								Power supply 7 24 VDC (galvanic isolated)
Sensor supply 12 VDC / 15 mA						H							Size of housing 6 96x24 mm (BxH)
Analog output not available													3 Counter