



Digital processor-controlled panel meter 4-digit

PVE4

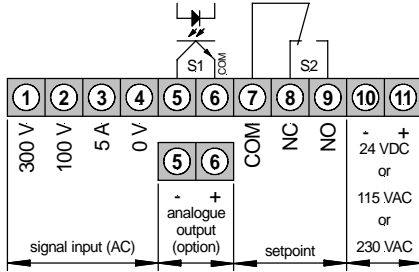
- isolated
- 2 free scalable setpoints/hysteresis
- analog output galvanic insulated
- Min/Max memory

Digital panel meter

- Alternating voltage
- Alternating current



- **Alternating voltage, alternating current**



Power supply 230 VAC	Standard	PVE 4.004.6522C	30,10
	True effective value RMS	PVE 4.104.6522C	50,55
Power supply 115 VAC	Standard	PVE 4.004.6422C	40,30
	True effective value RMS	PVE 4.104.6422C	60,75
Power supply 24 VDC	Standard	PVE 4.004.6722C	250,55
(galv. insulated)	True effective value RMS	PVE 4.104.6722C	71,00

OPTIONS

	PVE 4.004... Alternating voltage	Additional price
		EUR
Green LED	x	
Protection IP54 at the front	x	7,10
Protection IP65 at the front	x	11,80
Plug-in terminal	x	10,60
With analog output there is no setpoint S1!		
Analogue output 0-10 VDC/12 bit (supply voltage 230/115 VAC)	x	70,60
Analogue output 0-20 mA/load 500 Ω/12bit (supply voltage 230/115 VAC)	x	76,40
Analogue output 4-20 mA/load 500 Ω/12bit (supply voltage 230/115 VAC)	x	76,40
Analogue output 0-10 VDC/12 bit (supply voltage 24 VDC galv. insulated)	x	111,70
Analogue output 0-20 mA/load 500 Ω/12 bit (supply voltage 24 VDC galv. insulated)	x	117,60
Analogue output 4-20 mA/load 500 Ω/12 bit (supply voltage 24 VDC galv. insulated)	x	117,60
<i>The analogue output is galv. insulated from the measuring input!</i>		
Dimension strips selectable (max. 7 signs)	x	
Measuring range 1A on demand (S108)	x	
Other power supplies on demand!	x	

Technical data

for all units of the PVE4, PFE4, PFL4 range,
if not indicated otherwise

Dimensions	Housing	W 72 x H 36 x XD 97 mm, including screw terminal (D =115 mm, including plug-in terminal)
	Assembly cut out	68.0 ^{+0.7} x 33.0 ^{+0.6} mm
	Fastening	special quick plastic clamp proper to fix in wall thickness up to 50 mm
	Housing material	PC/ABS-plastic blend, colour black, UL94V-0
	Protective system	at the front IP40 connection IP00
	Weight	approx. 0.2 kg
	Connection	at the rear via terminals up to 2.5 mm ²

Input

PVE4.004....

Alternating voltage,
Alternating current

Measuring range 100 V, 300 V, 5 A – optional 1 A
All ranges selectable via connection terminal.

Input resistance Ri with 100 V = ~1 MΩ 1 A = ~276 mΩ
300 V = ~4 MΩ 5 A = ~56 mΩ

Output

For all versions

Relay outputs (Switching cycle) charge 240 VAC/0.25 A – 24 VDC/1 A, with ohm resistive burden
2 * 10⁵ at max. contact rate
10 * 10⁶ mechanically

Open Collector Supply by customers (U_B = 5-35 V / I_{max} = 100 mA with U_{CE sat})

Analog output 0-10 VDC (12 Bit)
0-20 mA (12 Bit) load max. 500 Ω
4-20 mA (12 Bit) load max. 500 Ω

The analog output is galvanic insulated from the measuring input!

Accuracy

PVE4.0x4....	Resolution	-999...9999 Digit
	Measuring fault	+/-1.0 % of final value, +/-1 digit
	Measuring principle (input)	precision rectifier – effective value with sine waveform only
	Frequency range	Nominal precision 40 Hz up to 100 Hz
PVE4.1x4....	Measuring fault	+/-0.7%, of final value +/-1 digit, crest factor 3
	Measuring principle (input)	True effective value RMS
	Frequency range	Nominal precision 40 Hz up to 1000 Hz

PVE4.004.... I ~ 200 ppm/K / U ~ 100 ppm/K

For AC versions Measuring principle Voltage/frequency converter

Power unit Supply voltage 230/115 VAC +/-10% (50-60 Hz), 24 VDC (+/-10%) galvanic insulated
Power consumption max. 3 VA

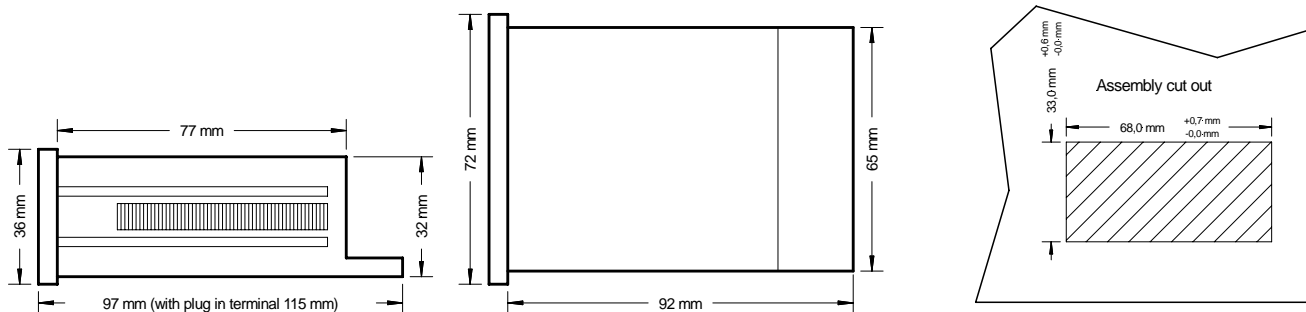
Indication Display LED with 7 segments, 14 mm high, red
4-digit = indication 9999

For all versions Overflow indication of 4 transversal bars

For all versions Indication time from 0.1 up to 10 seconds adjustable

Ambient conditions Working temperature 0 up to +60°C
Storing temperature -20 up to +80°C

Housing:



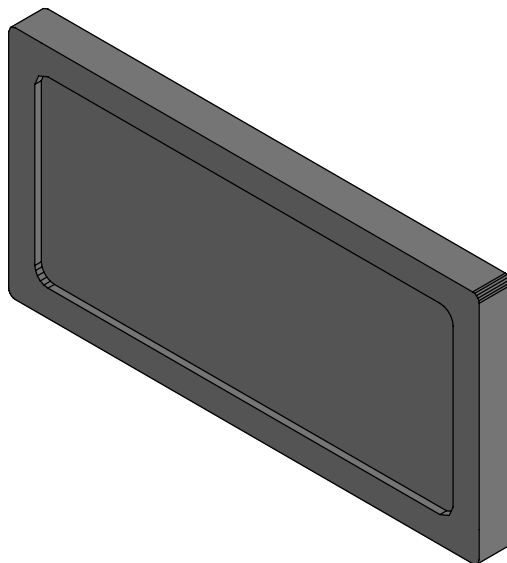
Ordering code PVE4

Digital panel meter with microprocessor based technology and 2 setpoints (standard)

		P	V	E	4	0	0	4	6	5	2	2	C
Basic model													
		Internal Index											
Voltage metering	<input type="checkbox"/> V	Setpoints (standard)											
		<input type="checkbox"/> 2 1 relay output and 1 open collector output											
Internal index	<input type="checkbox"/> E	Mechanical options											
		<input type="checkbox"/> 1 Foil keyboard, protection IP65											
		<input type="checkbox"/> 2 Foil keyboard, protection IP40											
		<input type="checkbox"/> 4 Foil keyboard, protection IP54											
		<input type="checkbox"/> 7 Plug-in terminal, foil keyboard, IP65											
		<input type="checkbox"/> 8 Plug-in terminal, foil keyboard, IP40											
		<input type="checkbox"/> 9 Plug-in terminal, foil keyboard, IP54											
Number of digits	<input type="checkbox"/> 4	Power supply											
4 digits		<input type="checkbox"/> 4 115 VAC											
		<input type="checkbox"/> 5 230 VAC											
		<input type="checkbox"/> 7 24 VDC (galvanic insulated)											
Sensor supply	<input type="checkbox"/> 0	Size of housing											
no sensor supply		<input type="checkbox"/> 6 72x36											
Alternating voltage, current	<input type="checkbox"/> 0	Measuring input											
Standard		<input type="checkbox"/> 4 Alternating voltage, alternating current											
True effective RMS	<input type="checkbox"/> 1												
Outputs	<input type="checkbox"/> 0												
no outputs													
0-10 V	<input type="checkbox"/> 1												
0-20 mA	<input type="checkbox"/> 2												
4-20 mA	<input type="checkbox"/> 3												

Blind covers

with fastening clamps



GH014-07

6,50